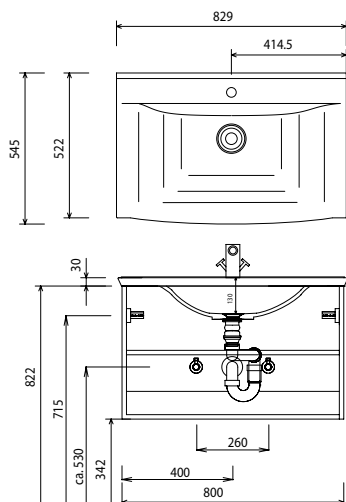
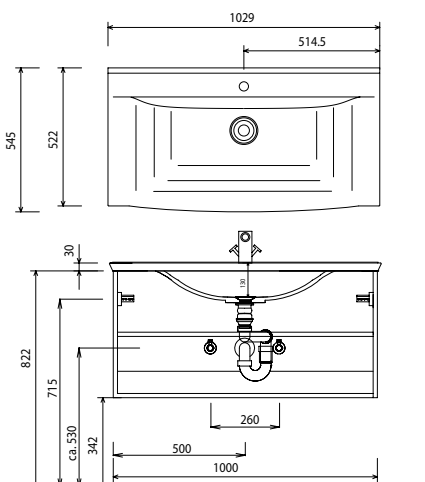


Esprit Urban Sense- Maßskizzen

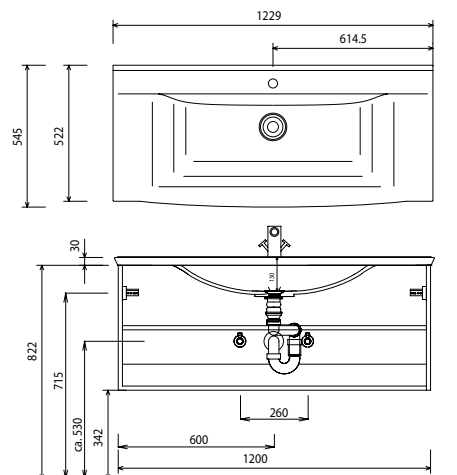
SWM G080



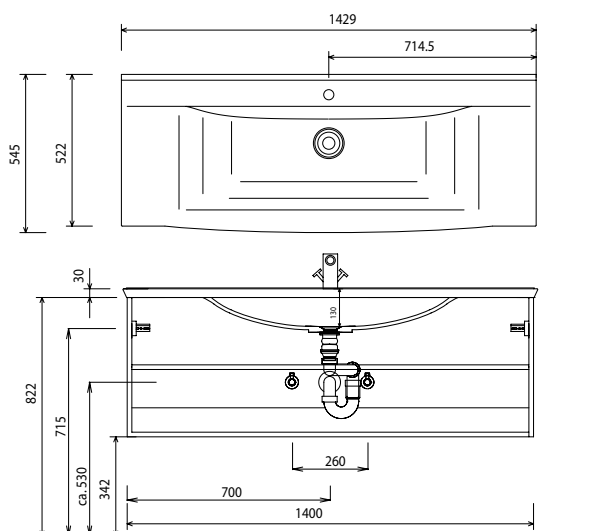
SWM G100



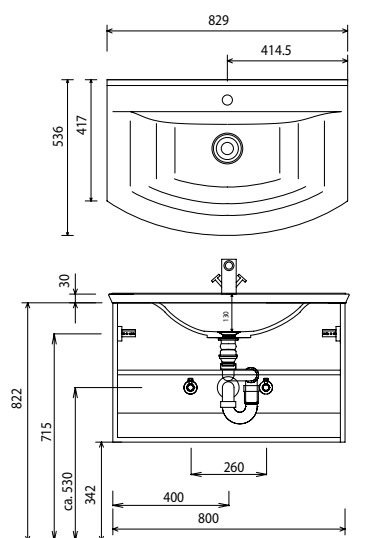
SWM G120



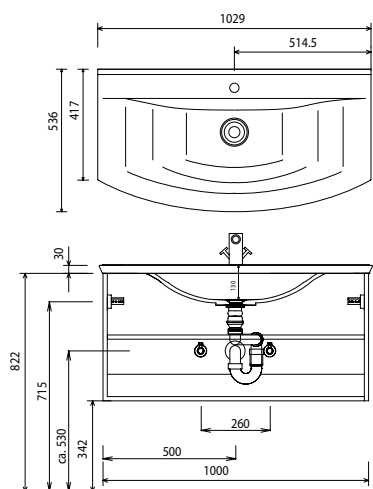
SWM G140



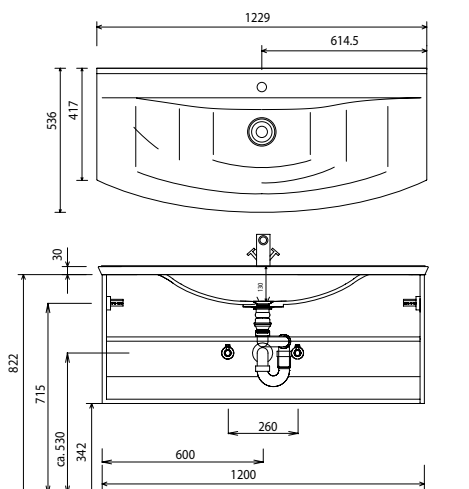
SWM R080



SWM R100



SWM R120



SWM R140

