



Front colours



No. 764 Stonegrey matt



No. 777 cosmos grey matt



No. 793 noble white matt



No. 891 quarz grey matt



No. 893 titanium grey matt



No. 686 anthracite hgl.



No. 722 polar white hgl.



No. 755 hacienda black



No. 769 hacienda grey



no. 670 Halifax oak



no. 680 Charleston oak



No. 750 cardiff oak



no. 751 Cuneo oak brown



no. 771 Cuneo oak natural



Nr. 785 natural oak

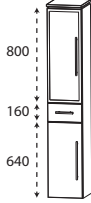
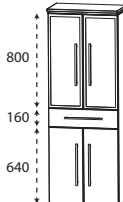
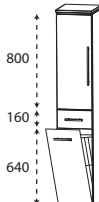
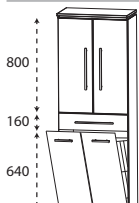
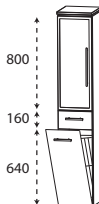


no. 794 sand oak

F foiled front

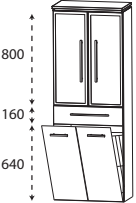
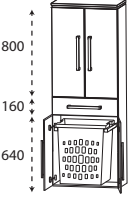
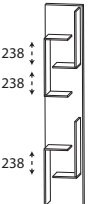
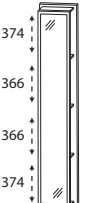

M Melamine coated front with ABS-edge

Program 017 - type list

Depth indication corresponds to the carcass depth		Depth in mm	Width in mm	Height in mm	Article number	Hinge	Surcharge high-gloss carcass
Tall units							
	<p>Tall unit</p> <ul style="list-style-type: none"> 1 aluminium framed door with satined glass 2 glass shelves (top) 1 drawer with buffered closing 1 door 1 glass shelf 1 decor panel (please indicate colour version) 1 top cover 330 mm deep 	300	300	1640	HNA053B5M	L/R	
	<p>Tall unit</p> <ul style="list-style-type: none"> 2 aluminium framed doors with satined glass 2 glass shelves (top) 1 drawer with buffered closing 2 doors 1 glass shelf 1 decor panel (please indicate colour version) 1 top cover 330 mm deep 	300	600	1640	HNA056B5M		
	<p>Tall unit with laundry basket</p> <ul style="list-style-type: none"> 1 door 2 glass shelves 1 drawer with buffered closing 1 laundry basket with wire basket 1 decor panel (please indicate colour version) 1 top cover 330 mm deep <p>Volume of laundry basket: 25 liters Volume of laundry basket: 35 liters</p>	300 300	300 400	1640 1640	HNA053A5W HNA054A5W	L/R L/R	
	<p>Tall unit with laundry basket</p> <ul style="list-style-type: none"> 2 doors 2 glass shelves 1 metal pull-out with buffered closing 1 laundry basket with wire basket 1 decor panel (please indicate colour version) 1 top cover 330 mm deep <p>Volume of laundry basket: 55 liters</p>	300	600	1640	HNA056A5W		
	<p>Tall unit with laundry basket</p> <ul style="list-style-type: none"> 1 aluminium framed door with satined glass 2 glass shelves 1 drawer with buffered closing 1 laundry basket with wire basket 1 decor panel (please indicate colour version) 1 top cover 330 mm deep <p>Volume of laundry basket: 25 liters</p>	300	300	1640	HNA053B5W	L/R	

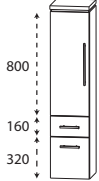
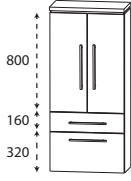
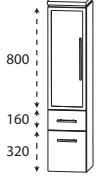
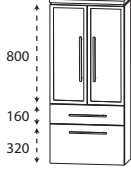
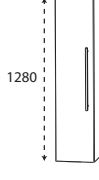
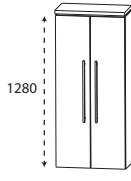
Please observe suitable accessories in the separate index.

Program 017 - type list

Depth indication corresponds to the carcass depth		Depth in mm	Width in mm	Height in mm	Article number	Hinge	Surcharge high-gloss carcass
Tall units							
	<p>Tall unit with laundry basket 2 aluminium framed doors with satined glass 2 glass shelves 1 drawer with buffered closing 1 laundry basket with wire basket 1 decor panel (please indicate colour version) 1 top cover 330 mm deep Volume of laundry basket: 55 liters</p>	300	600	1640	H N A 0 5 6 B 5 W		
	<p>Tall unit with laundry pull out 2 doors 2 glass shelves (top) 1 drawer with buffered closing 2 doors 1 laundry pull out with wire basket 1 decor panel (please indicate colour version) 1 top cover 330 mm deep Volume of laundry pull out: 40 liters</p>	300	600	1640	H N A 0 5 6 W A 5		
Tall unit-shelf							
	<p>Tall unit-shelf with open shelf space in carcass colour</p>	150	300	1600	R G 1 0 3 0 0 1		
	<p>Tall unit-shelf with mirror surface 4 shelves compartments in carcass colour</p>	150	300	1600	R G 1 0 3 0 0 2		
	<p>Tall unit-shelf 4 functional hooks 4 shelves compartments in carcass colour</p>	150	300	1600	R G 1 0 3 0 0 3		

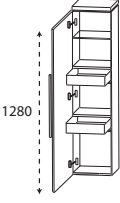
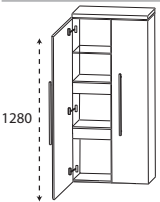
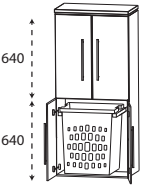
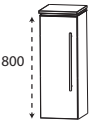
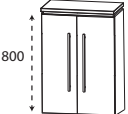
Please observe suitable accessories in the separate index.

Program 017 - type list

Depth indication corresponds to the carcass depth		Depth in mm	Width in mm	Height in mm	Article number	Hinge	Surcharge high-gloss carcass		
Central units									
	medium-high unit 1 door 2 glass shelves (top) 1 metal pull-out with buffered closing, 1 drawer with buffered closing 1 decor panel (please indicate colour version) 1 top cover 330 mm deep	300	300	1320	M N A 8 8 3 A 5 M	L/R			
			300	400	1320	M N A 8 8 4 A 5 M	L/R		
	medium-high unit 2 doors 2 glass shelves (top) 1 metal pull-out with buffered closing, 1 drawer with buffered closing 1 decor panel (please indicate colour version) 1 top cover 330 mm deep	300	600	1320	M N A 8 8 6 A 5 M				
	medium-high unit 1 aluminium framed door with satined glass 2 glass shelves (top) 1 metal pull-out with buffered closing, 1 drawer with buffered closing 1 decor panel (please indicate colour version) 1 top cover 330 mm deep	300	300	1320	M N A 8 8 3 B 5 M	L/R			
	medium-high unit 2 aluminium framed doors with satined glass 2 glass shelves (top) 1 metal pull-out with buffered closing, 1 drawer with buffered closing 1 decor panel (please indicate colour version) 1 top cover 330 mm deep	300	600	1320	M N A 8 8 6 B 5 M				
	medium-high unit 1 door 4 glass shelves 1 decor panel (please indicate colour version) 1 top cover 330 mm deep	300	300	1320	M N A 8 1 3 A	5	L/R		
			300	400	1320	M N A 8 1 4 A	5	L/R	
	Variable in width: please quote the exact dimension of carcass depth. Top cover will be adapted to the cupboard width.	150-299	300	1320	M V A 8 1 3 0		L/R		
		150-299	400	1320	M V A 8 1 4 0		L/R		
	medium-high unit 2 doors 4 glass shelves 1 decor panel (please indicate colour version) 1 top cover 330 mm deep	300	600	1320	M N A 8 1 6 A	5			
	Variable in width: please quote the exact dimension of carcass depth. Top cover will be adapted to the cupboard width.	150-299	600	1320	M V A 8 1 6 0				

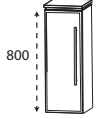
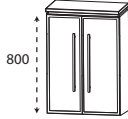
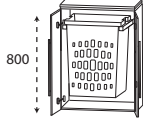
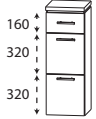
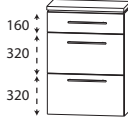
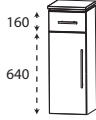
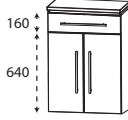
Please observe suitable accessories in the separate index.

Program 017 - type list

Depth indication corresponds to the carcass depth		Depth in mm	Width in mm	Height in mm	Article number		Hinge	Surcharge high-gloss carcass
Central units								
	medium-high unit with inside drawers 1 door 2 inside metal-drawer with buffered closing 1 glass shelf 1 decor panel (please indicate colour version) 1 top cover 330 mm deep	300	300	1320	M N A 8 4 3 A	5	L/R	
		300	400	1320	M N A 8 4 4 A	5	L/R	
	medium-high unit with inside drawers 2 doors 1 continuous glass shelf 2 continuously inside metal-drawer with buffered closing 1 decor panel (please indicate colour version) 1 top cover 330 mm deep	300	600	1320	M N A 8 4 6 A	5		
	medium-high unit with laundry pull out 2 doors 1 glass shelf (top) 2 doors 1 laundry pull out with wire basket Volume of laundry pull out: 40 liters 1 decor panel (please indicate colour version) 1 top cover 330 mm deep	300	600	1320	M N A 8 3 6 A 5 W			
Highboards								
	Highboard 1 door 2 glass shelves 1 decor panel (please indicate colour version) 1 top cover 330 mm deep	300	300	840	H B A 5 1 3 A	5	L/R	
		300	400	840	H B A 5 1 4 A	5	L/R	
	Variable in width: please quote the exact dimension of carcass depth. Top cover will be adapted to the cupboard width.	150-299	300	840	H B V A 5 1 3		L/R	
		150-299	400	840	H B V A 5 1 4		L/R	
	Highboard 2 doors 2 glass shelves 1 decor panel (please indicate colour version) 1 top cover 330 mm deep	300	600	840	H B A 5 1 6 A	5		
Variable in width: please quote the exact dimension of carcass depth. Top cover will be adapted to the cupboard width.	150-299	600	840	H B V A 5 1 6				

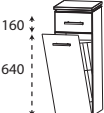
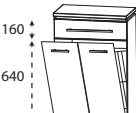
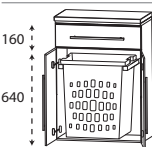
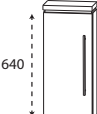
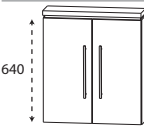
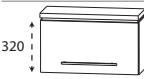
Please observe suitable accessories in the separate index.

Program 017 - type list

Depth indication corresponds to the carcass depth		Depth in mm	Width in mm	Height in mm	Article number	Hinge	Surcharge high-gloss carcass
Highboards							
	<p>Highboard 1 aluminium framed door with satined glass 2 glass shelves 1 decor panel (please indicate colour version) 1 top cover 330 mm deep</p> <p>Variable in width: please quote the exact dimension of carcass depth. Top cover will be adapted to the cupboard width.</p>	300 150-299	300	840 840	H B A 5 1 3 B 5 H B V A 5 1 3 1	L/R L/R	
	<p>Highboard 2 aluminium framed doors with satined glass 2 glass shelves 1 decor panel (please indicate colour version) 1 top cover 330 mm deep</p> <p>Variable in width: please quote the exact dimension of carcass depth. Top cover will be adapted to the cupboard width.</p>	300 150-299	600	840 840	H B A 5 1 6 B 5 H B V A 5 1 6 1		
	<p>Highboard with laundry pull out 2 doors 1 laundry pull out with wire basket 1 decor panel (please indicate colour version) 1 top cover 330 mm deep</p> <p>Volume of laundry pull out: 40 liters</p>	300	600	840	H B A 5 1 6 A 5 W		
	<p>Highboard 1 drawer with buffered closing 2 metal pull-outs with buffered closing 1 decor panel (please indicate colour version) 1 top cover 330 mm deep</p>	300 300	300 400	840 840	H B A 5 6 3 A 5 M H B A 5 6 4 A 5 M		
	<p>Highboard 1 drawer with buffered closing 2 metal pull-outs with buffered closing 1 decor panel (please indicate colour version) 1 top cover 330 mm deep</p>	300	600	840	H B A 5 6 6 A 5 M		
	<p>Highboard 1 drawer with buffered closing 1 door 1 glass shelf 1 decor panel (please indicate colour version) 1 top cover 330 mm deep</p>	300 300	300 400	840 840	H B A 5 5 3 A 5 M H B A 5 5 4 A 5 M	L/R L/R	
	<p>Highboard 1 drawer with buffered closing 2 doors 1 glass shelf 1 decor panel (please indicate colour version) 1 top cover 330 mm deep</p>	300	600	840	H B A 5 5 6 A 5 M		

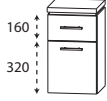
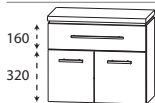
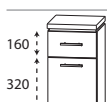
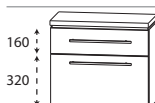
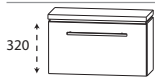
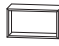


Please observe suitable accessories in the separate index.

Program 017 - type list

Depth indication corresponds to the carcass depth		Depth in mm	Width in mm	Height in mm	Article number	Hinge	Surcharge high-gloss carcass
Highboards							
	<p>Highboard with laundry basket 1 drawer with buffered closing 1 laundry basket with wire basket 1 decor panel (please indicate colour version) 1 top cover 330 mm deep</p> <p>Volume of laundry basket: 25 liters Volume of laundry basket: 35 liters</p>	300 300	300 400	840 840	HBA553A5W HBA554A5W		
	<p>Highboard with laundry basket 1 drawer with buffered closing 1 laundry basket with wire basket 1 decor panel (please indicate colour version) 1 top cover 330 mm deep</p> <p>Volume of laundry basket: 55 liters</p>	300	600	840	HBA556A5W		
	<p>Highboard with laundry pull out 1 drawer with buffered closing 2 doors 1 laundry pull out with wire basket 1 decor panel (please indicate colour version) 1 top cover 330 mm deep</p> <p>Volume of laundry pull out: 40 liters</p>	300	600	840	HBA556WA5		
Wall units							
	<p>Wall unit 1 door 1 glass shelf 1 decor panel (please indicate colour version) 1 top cover 180 mm deep</p> <p>Variable in width: please quote the exact dimension of carcass depth. Top cover will be adapted to the cupboard width.</p>	150 150	300 400	680 680	OGA413A5 OGA414A5	L/R L/R	
	<p>Wall unit 2 doors 1 glass shelf 1 decor panel (please indicate colour version) 1 top cover 180 mm deep</p> <p>Variable in width: please quote the exact dimension of carcass depth. Top cover will be adapted to the cupboard width.</p>	150-300 150-300	300 400	680 680	OGA416A5 OVA4130 OVA4140	L/R L/R	
	<p>Wall unit 1 flap door, 1 decor panel (please indicate colour version) 1 top cover 260 mm deep</p>	230	600	360	OMA216A5K		

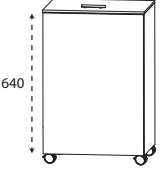
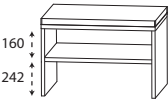
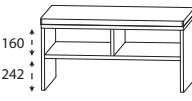

Please observe suitable accessories in the separate index.

Program 017 - type list

Depth indication corresponds to the carcass depth		Depth in mm	Width in mm	Height in mm	Article number	Hinge	Surcharge high-gloss carcass
Base units							
	Base unit 1 drawer with buffered closing 1 door 1 decor panel (please indicate colour version) 1 top cover 330 mm deep	300	300	520	U N A 3 2 3 A 5 M	L/R	
		300	400	520	U N A 3 2 4 A 5 M	L/R	
	Base unit 1 drawer with buffered closing 2 doors 1 decor panel (please indicate colour version) 1 top cover 330 mm deep	300	600	520	U N A 3 2 6 A 5 M		
	Base unit 1 drawer with buffered closing 1 metal pull-out with buffered closing, 1 decor panel (please indicate colour version) 1 top cover 330 mm deep	300	300	520	U N A 3 4 3 A 5 M		
		300	400	520	U N A 3 4 4 A 5 M		
	Base unit 1 drawer with buffered closing 1 metal pull-out with buffered closing, 1 decor panel (please indicate colour version) 1 top cover 330 mm deep	300	600	520	U N A 3 4 6 A 5 M		
	Base unit 1 flap door, 1 decor panel (please indicate colour version) 1 top cover 260 mm deep	230	600	360	U M A 2 1 6 A 5 K		
Shelves							
	functional shelf Edges are cut with a mitre vertical and horizontal mounting possible please indicate colour version: no. 501 white matt lacquered no. 547 black matt lacquered	150	300	160	R G L 1 1 3 0 0 1		
	functional shelf Edges are cut with a mitre vertical and horizontal mounting possible please indicate colour version: no. 501 white matt lacquered no. 547 black matt lacquered	150	600	160	R G L 1 1 6 0 0 2		
	functional shelf Edges are cut with a mitre vertical and horizontal mounting possible please indicate colour version: no. 501 white matt lacquered no. 547 black matt lacquered	150	900	160	R G L 1 1 9 0 0 3		






Please observe suitable accessories in the separate index.

Program 017 - type list

Depth indication corresponds to the carcass depth		Depth in mm	Width in mm	Height in mm	Article number	Hinge	Surcharge high-gloss carcass
Laundryrolli							
	<p>Laundryrolli 1 flap door, with buffered closing 1 take-out laundry-bag, washable 4 roles Colour version corresponds to the carcass colour incl. height indication rolls (100 mm)</p>	470	470	756	WRS 4 0 4 7		
Benches							
	<p>Bench 1 shelf 1 seat cushion in imitation leather Colour version corresponds to the carcass colour cushion in creamy-white cushion in black</p>	450 450	600 600	508 508	SETBANK 6 W SETBANK 6 S		
	<p>Bench 2 shelves 1 seat cushion in imitation leather Colour version corresponds to the carcass colour cushion in creamy-white cushion in black</p>	450 450	900 900	508 508	SETBANK 9 W SETBANK 9 S		
Glass shelves							
	<p>Glass shelf incl. metal holder</p> <p>400 mm wide incl. 2 metal brackets</p> <p>600 mm wide incl. 2 metal brackets</p> <p>900 mm wide incl. 3 metal brackets</p> <p>1200 mm wide incl. 3 metal brackets</p>	130 130 130 130	400 600 900 1200	8 8 8 8	ABG 1 3 4 0 0 8 ABG 1 3 6 0 0 8 ABG 1 3 9 0 0 8 ABG 1 3 1 2 0 8		

Please observe suitable accessories in the separate index.

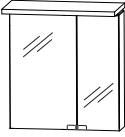

Program 017 - type list

Depth indication corresponds to the carcass depth	Depth in mm	Width in mm	Height in mm	Article number	Hinge	Surcharge high-gloss carcass
Push-fit shelf						
	Push-fit shelf with ABS thick edge all around incl. holders for push fit shelf					
	300 mm wide incl. 2 push-fit holder	150	300	28	S B G 6 0 3 0	
	400 mm wide incl. 2 push-fit holder	150	400	28	S B G 6 0 4 0	
	600 mm wide incl. 2 push-fit holder	150	600	28	S B G 6 0 6 0	
	900 mm wide incl. 3 push-fit holder	150	900	28	S B G 6 0 9 0	
	1200 mm wide incl. 3 push-fit holder	150	1200	28	S B G 6 0 1 2	
Accessories						
	LED lighting element in chrome matt This product contains a light source with energy efficiency class: G					
	634 mm wide 9,28 watt / 731 lumens / (2700 -) 6500 Kelvin	127	634	24	P Z 1 1 4 0 6 0	
	934 mm wide 14,08 Watt / 1109 lumens / (2700 -) 6500 Kelvin	127	934	24	P Z 1 1 4 0 9 0	
	1234 mm wide 18,88 watt / 1487 lumens / (2700 -) 6500 Kelvin	127	1234	24	P Z 1 1 4 0 1 2	
	LED lighting element in black matt This product contains a light source with energy efficiency class: G					
	634 mm wide 9,28 watt / 731 lumens / (2700 -) 6500 Kelvin	127	634	24	P Z 1 1 6 0 6 0	
	934 mm wide 14,08 Watt / 1109 lumens / (2700 -) 6500 Kelvin	127	934	24	P Z 1 1 6 0 9 0	
	1234 mm wide 18,88 watt / 1487 lumens / (2700 -) 6500 Kelvin	127	1234	24	P Z 1 1 6 0 1 2	

Please observe suitable accessories in the separate index.

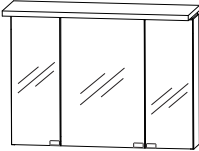
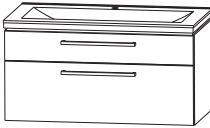
Program 017 - examples

COM-0160-5		
1	Mirror cabinet, 600 mm	S 2 A 4 3 6 A 2 0
1	washbasin base unit, LED	W U A 3 8 6 C 1 M
1	STONEPLUS washbasin, 600 mm	W M S 5 0 6 0 6 1
COG 82605	SWG 5060 82 glass optiwhte inst. Stoneplus	
COG 92605	SWG 5060 92 glass optiwhte matt inst. Stoneplus	
COK 01605	WTM 4406 1 ceramic inst. Stoneplus	

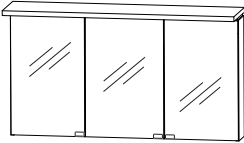
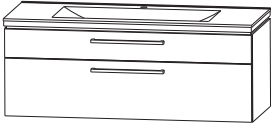
600 mm wide

COM-0190-5		
1	Mirror cabinet, 900 mm	S 2 A 4 3 9 A 2 0
1	washbasin base unit, LED	W U A 3 8 9 C 1 M
1	STONEPLUS washbasin, 900 mm	W M S 5 0 9 0 6 1
COG 82905	SWG 5090 82 glass optwhite inst. Stoneplus	
COG 92905	SWG 5090 92 glass optwhite matt inst. Stoneplus	
COK 01905	WTM 4409 1 ceramic inst. Stoneplus	

900 mm wide

COM-0112-5		
1	Mirror cabinet, 1200 mm	S 2 A 4 3 1 A 2 0
1	washbasin base unit, LED	W U A 3 8 1 C 1 M
1	STONEPLUS washbasin, 1.200 mm	W M S 5 1 2 0 6 1
COG 82125	SWG 5120 82 glass optiwhte inst. Stoneplus	
COG 92125	SWG 5120 92 glass optiwhte matt inst. Stoneplus	
COK 01125	WTM 4412 1 ceramic inst. Stoneplus	

1200 mm wide

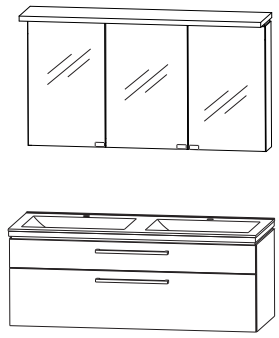
Program 017 - examples

The numbers represent POINTS not prices

COM-0112-5D

1 Mirror cabinet, 1200 mm	S 2 A 4 3 1 A 2 0
1 washbasin base unit, LED	W U A 3 8 1 C 3 M
1 STONEPLUS washbasin, 1.200 mm Double washbasin	W M S 7 1 2 0 6 1

C O G 8 2 1 2 5 D	SWG 7120 8 glass optwhite inst. Stoneplus
C O G 9 2 1 2 5 D	SWG 7120 92 glass optwhite matt inst. Stoneplus
C O K 0 1 1 2 5 D	WTM 442D 1 ceramic inst. cast mineral

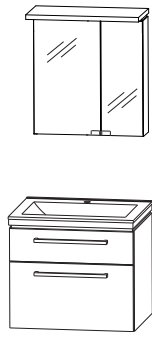


1200 mm wide

COM-0160-6

1 Mirror cabinet, 600 mm	S 2 A 4 3 6 A 6 9
1 washbasin base unit, LED	W U A 3 8 6 C 1 M
1 STONEPLUS washbasin, 600 mm	W M S 5 0 6 0 6 1

C O G 8 2 6 0 6	SWG 5060 82 glass optwhite inst. Stoneplus
C O G 9 2 6 0 6	SWG 5060 92 glass optwhite matt inst. Stoneplus
C O K 0 1 6 0 6	WTM 4406 1 ceramic inst. Stoneplus

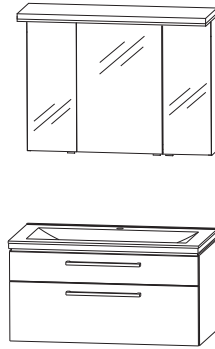


600 mm wide

COM-0190-6

1 Mirror cabinet, 900 mm	S 2 A 4 3 9 A 6 9
1 washbasin base unit, LED	W U A 3 8 9 C 1 M
1 STONEPLUS washbasin, 900 mm	W M S 5 0 9 0 6 1

C O G 8 2 9 0 6	SWG 5090 82 glass optwhite inst. Stoneplus
C O G 9 2 9 0 6	SWG 5090 92 glass optwhite matt inst. Stoneplus
C O K 0 1 9 0 6	WTM 4409 1 ceramic inst. Stoneplus

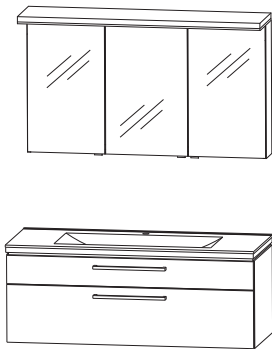


900 mm wide

Program 017 - examples

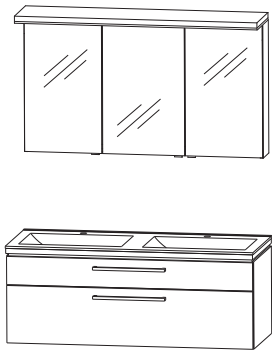
The numbers represent POINTS not prices

COM-0112-6	
1 Mirror cabinet 1200 mm	S 2 A 4 3 1 A 6 9
1 washbasin base unit, LED	W U A 3 8 1 C 1 M
1 STONEPLUS washbasin, 1.200 mm	W M S 5 1 2 0 6 1
C O G 8 2 1 2 6	SWG 5120 82 glass optiwhite inst. Stoneplus
C O G 9 2 1 2 6	SWG 5120 92 glass optiwhite matt inst. Stoneplus
C O K 0 1 1 2 6	WTM 4412 1 ceramic inst. Stoneplus



1200 mm wide

COM-0112-6D	
1 Mirror cabinet 1200 mm	S 2 A 4 3 1 A 6 9
1 washbasin base unit, LED	W U A 3 8 1 C 3 M
1 STONEPLUS washbasin, 1.200 mm Double washbasin	W M S 7 1 2 0 6 1
C O G 8 2 1 2 6 D	SWG 7120 8 glass optiwhite inst. Stoneplus
C O G 9 2 1 2 6 D	SWG 7120 92 glass optiwhite matt inst. Stoneplus
C O K 0 1 1 2 6 D	WTM 442D 1 ceramic inst. Stoneplus

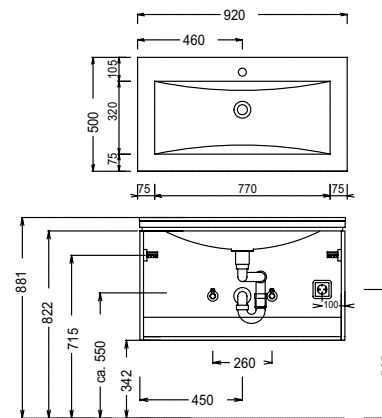
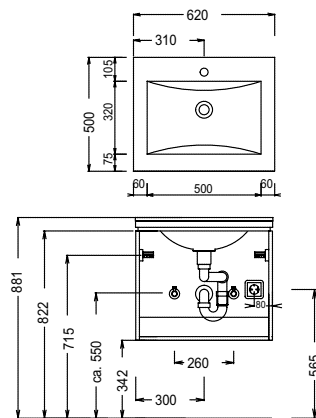


1200 mm wide

Program 017 - dimensional drawings

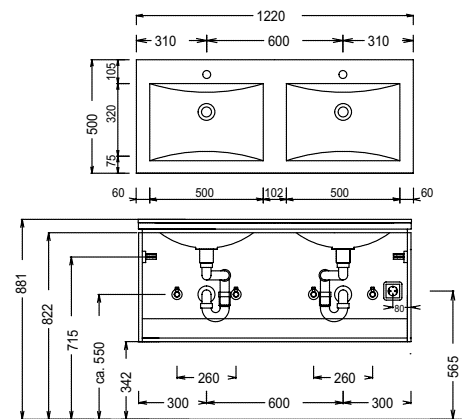
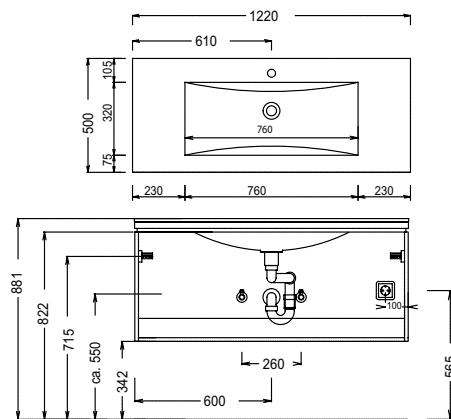
WMS / SWG 5060

WMS / SWG 5090



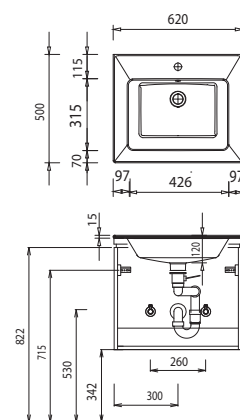
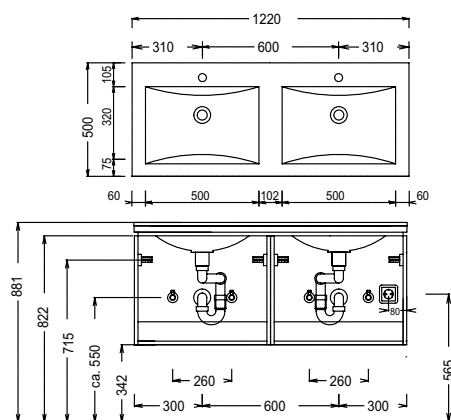
WMS / SWG 5120

WMS / SWG 7120



WMS / SWG 7120

WTM 4406 1



For washing stands with fixing screws, the dimensions for boring must be drawn in on-site after the washing stand has been laid on the floor unit.

Washing stands without anchoring brackets have to be fixed on the wall and on the furniture-side with silicon!

Cast mineral:

The water temperature must not exceed 55° C / 131° F. Hair tinting lotions have to be removed immediately, so that staining can be avoided.

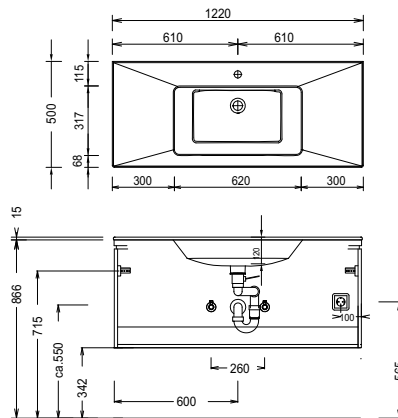
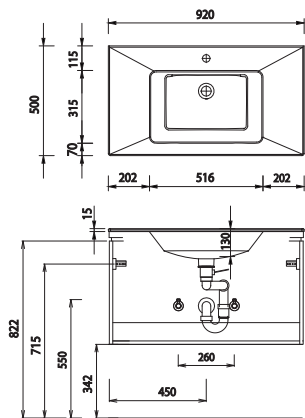
Modifications:

Technical modifications (+/- 5mm) and flatness modifications (DIN 18202) are subject of the usual material-specific modifications for construction materials, based on DIN 18202.

Program 017 - dimensional drawings

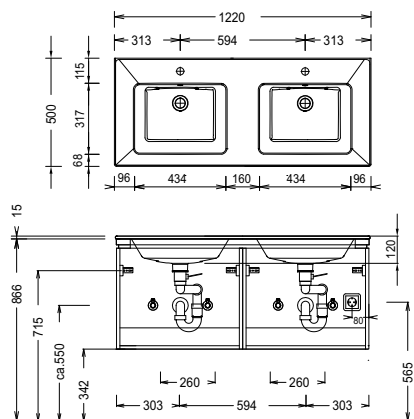
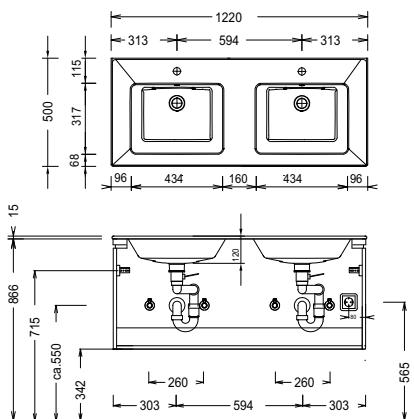
WTM 4409 1

WTM 4412 1

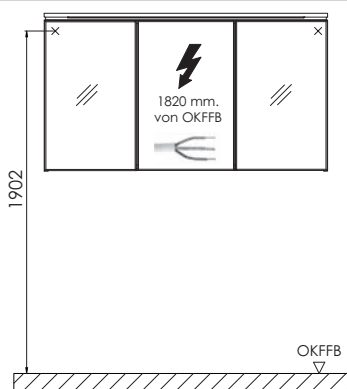


WTM 442D 1

WTM 442D 1



electrical connections for mirror cabinets



OKFFB=Oberkante Fertigfußboden

For washing stands with fixing screws, the dimensions for boring must be drawn in on-site after the washing stand has been laid on the floor unit.

Washing stands without anchoring brackets have to be fixed on the wall and on the furniture-side with silicon!

Cast mineral:

The water temperature must not exceed 55° C / 131° F. Hair tinting lotions have to be removed immediately, so that staining can be avoided.

Modifications:

Technical modifications (+/- 5mm) and flatness modifications (DIN 18202) are subject of the usual material-specific modifications for construction materials, based on DIN 18202.