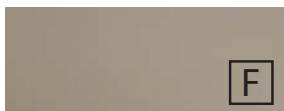




Front colours



No. 764 Stonegrey matt



No. 777 cosmos grey matt



No. 793 noble white matt



No. 891 quarz grey matt



No. 893 titanium grey matt



No. 686 anthracite hgl.



No. 722 polar white hgl.



no. 680 Charleston oak



Nr. 785 natural oak



no. 794 sand oak

**F** foiled front

## carcass colours

\* High gloss carcass for an additional price



No. 164  
Stonegrey matt



No. 177  
cosmos grey  
matt



No. 111  
white matt



no. 191  
quarz grey  
matt



No. 193  
titanium grey  
matt



\*no. 121  
anthracite hgl.



\*no. 161  
white hgl.



no. 180  
Charleston oak



Nr. 185  
natural oak



no. 194  
sand oak

## washbasin typs

Cast mineral washbasins



no. 1  
white



no. 1  
white



no. 1  
white



no. 1  
white



No. 21  
white **evermite®**



No. 21  
white **evermite®**



No. 61  
white

**STONE-PLUS®**  
New, harder, easy-care  
surface.

Glass washbasin



no. 82  
optiwhite

Ceramic washbasins



no. 1  
white



no. 1  
white

## Technique

Pull outs and drawers

No. 554

door with integrated buffered closing

## Handle versions



No. 290 bar handle chrome

handle-borehole distance for straight fronts:  
96 mm / 384 mm

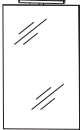
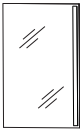
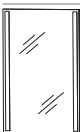
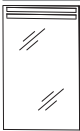



Illustrations and specifications are without obligation. Technical modifications reserved.

2022/2023

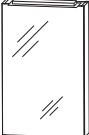



Please note the instruction for warranty, mounting and care, and the quality agreements as well, at the beginning of the book.

# Program 039 - model list

The numbers represent POINTS not prices

	Depth in mm	Width in mm	Height in mm	Article number	Hinge	Surcharge high-gloss carcass
<p>Depth indication corresponds to the carcass depth</p> <p><b>Mirrors</b></p>						
 <p><b>mirror, 400 mm</b> outer edges in chrom LED lighting element 4,8 watt / converter 15 watt 366 lumens / 6000 Kelvin Switch element This product contains a light source with energy efficiency class: G</p>	28	400	800	F S A 5 1 4 0 B 2		
 <p><b>mirror, 400 mm</b> outer edges in chrom 1 sand blasted lightning cut-out LED right 3,6 Watt / converter 15 Watt 590 lumens / 6500 Kelvin 1 switch element This product contains a light source with energy efficiency class: F</p>	28	400	800	F S A 5 4 4 0 0 1		
 <p><b>mirror, 400 mm</b> outer edges in chrom 2 sand blasted lightning cut-outs LED left and right 7,2 watt / converter 15 watt 648 lumens / 6500 Kelvin 1 switch element This product contains a light source with energy efficiency class: F</p>	28	400	800	F S A 5 4 4 0 0 2		
 <p><b>mirror, 400 mm</b> outer edges in chrom 2 sand blasted lightning cut-outs LED above 3,9 Watt / converter 15 Watt 367 lumens / 6500 Kelvin 1 switch element This product contains a light source with energy efficiency class: F</p>	28	400	800	F S A 5 3 4 0 0 2		
 <p><b>mirror, 400 mm</b> outer edges in chrom 1 sand blasted lightning cut-out LED above 6,7 watt / converter 15 watt 780 lumens / 6500 Kelvin 1 enlightened glass shelve (LED Spots) 1 switch element This product contains a light source with energy efficiency class: F</p>	128	400	800	F S A 5 5 4 0 0 1		
  <p><b>mirror, 400 mm</b> 1 LED light angle left 19,32 watt / converter 30 watt 1462 lumens / 2700 - 6500 Kelvin Emotion lighting This product contains a light source with energy efficiency class: G</p>	46	400	800	F S A 5 3 4 0 8 R		







# Program 039

Depth indication corresponds to the carcass depth		Depth in mm	Width in mm	Height in mm	Article number	Hinge	Surcharge high-gloss carcass
<b>Mirror cabinets</b>							
	<b>mirror cabinet</b> 1 double mirror door 1 LED surface-mounted lamp (4,8 Watt) 366 lumens / 6000 Kelvin 12 V / converter 15 watt 2 glass shelves 1 switch socket element This product contains a light source with energy efficiency class: G	150	400	800	<b>S 2 A 5 1 4 B 1 D</b>	L/R	
<b>Sets</b>							
 Cast mineral	<b>Consisting of:</b> washbasin base unit 500 mm 2 doors (194 / 294 mm) Cast mineral washbasin white incl. not lockable flow-off valve  Additional accessories Space-producing drain stench trap DN 32	255	504	522	<b>S E T F G 5 0 0 1</b>		
 glass	<b>Consisting of:</b> washbasin base unit 500 mm 2 doors (194 / 294 mm) Glass-washbasin in Optiwhite incl. not lockable flow-off valve  Additional accessories Space-producing drain stench trap DN 32	306	506	492	<b>S E T F G 5 0 0 2</b>		
 <b>STONEPLUS®</b>	<b>Consisting of:</b> washbasin base unit 500 mm 1 door STONEPLUS washbasin, 512 mm colour white incl. CLOU drain and overflow system						
Please state the hinge	<b>without LED lighting</b>	454	512	520	<b>S E T F G 5 0 0 4</b>	L/R	
	<b>with LED lighting</b> LED- lighting 2,2 watt 194 lumens / 6500 Kelvin integrated sensor switcher 1 LED converter 15 W This product contains a light source with energy efficiency class: F  Additional accessories Space-producing drain stench trap DN 32 motion sensor for LED lighting Surcharge for washbasins without tap-hole or with 3 holes (according to sketch)	454	512	520	<b>S E T F G 5 0 B 4</b>	L/R	
					P Z 1 4 0 7 P Z 1 1 4 1		

You find information on the the washbasin manufacturer at the beginning of the sales book.


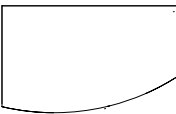
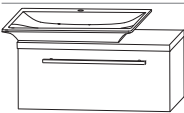
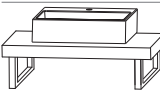
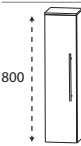
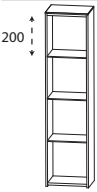
**\*Delivery time: 8 weeks. Price per washbasin. Washbasin without tap hole is incompatible with CLOU System. Please check your order confirmation for correctness.**

# Program 039 - model list

Depth indication corresponds to the carcass depth		Depth in mm	Width in mm	Height in mm	Article number			Hinge	Surchar- ge high- gloss carcass
<b>Sets</b>									
	<p><b>Consisting of:</b> washbasin, cast mineral, white, 512 mm incl. permanent drain washbasin base unit 500 mm 1 door</p> <p>Additional accessories Space-producing drain stench trap DN 32 Additional price for Washbasin without tap hole / with 3 holes (acc. to sketch).</p>	345	512	520	<b>S E T V U 5 0</b>	<b>1</b>	L/R		
					P Z	1 4 0 7			
 Ill. = right	<p><b>Consisting of:</b> Washbasin base unit 600 mm 1 metal pull out unit with buffered closing cast mineral - topcover washbasin incl. not lockable flow-off valve 1 glass plate in optiwhite with depth 152 mm</p> <p>Additional accessories</p> <p>Design installationsset chrome: Surcharge for washbasins without tap-hole or with 3 holes (according to sketch)</p>	410	666	255	<b>S E T F G 6 0 0 2</b>		L/R		
					P Z	1 3 8 9 1 E			
	<p><b>Consisting of:</b> Washbasin base unit 600 mm 1 metal pull out unit with buffered closing Cast mineral washbasin white extension right incl. not lockable flow-off valve</p> <p>Additional accessories</p> <p>Design installationsset chrome: Surcharge for washbasins without tap-hole or with 3 holes (according to sketch)</p>	350	606	185	<b>S E T F G 6 0 0 3</b>				
					P Z	1 3 8 9 1 E			
	<p><b>Consisting of:</b> Washbasin base unit 600 mm 1 metal pull-out with buffered closing Cast mineral washbasin white incl. not lockable flow-off valve</p> <p>Additional accessories Space-producing drain stench trap DN 32 Additional price for Washbasin without tap hole / with 3 holes (acc. to sketch).</p>	350	606	345	<b>S E T F G 6 0 0 4</b>				
					P Z	1 4 0 7			
  evermite Ill. = right	<p><b>Consisting of:</b> Washbasin base unit 600 mm 1 metal pull-out with buffered closing Evermite washbasin white incl. not lockable flow-off valve</p> <p>Additional accessories Space-producing drain stench trap DN 32</p>	400	606	335	<b>S E T F G 6 0 0 5</b>		L/R		
					P Z	1 4 0 7			

You find information on the the washbasin manufacturer at the beginning of the sales book.  
**\*Delivery time: 8 weeks. Price per washbasin. Washbasin without tap hole is incompatible with CLOU System. Please check your order confirmation for correctness.**

# Program 039 - model list





Depth indication corresponds to the carcass depth		Depth in mm	Width in mm	Height in mm	Article number		Hinge	Surcharge high-gloss carcass
<b>Sets</b>								
	<b>Consisting of:</b> Washbasin base unit 600 mm 1 metal pull out unit with buffered closing Evermite washbasin white incl. not lockable flow-off valve	448	606	350	<b>S E T F G 6 0 0 7</b>		L/R	
	Additional accessories Space-producing drain stretch trap DN 32				P Z 1 4 0 7			
evermite Ill. = right								
	<b>Consisting of:</b> Washbasin base unit 600 mm 1 metal pull out unit with buffered closing 1 top cover Ceramic counter top washbasin incl. not lockable flow-off valve	365	653	338	<b>S E T F G 6 0 0 8</b>		L/R	
Ill. = right								
	<b>Consisting of:</b> Ceramic counter top washbasin 390 mm width incl. not lockable flow-off valve washbasin plate in oak solid 40 mm high 2 towel holder console Chrome hgl.	400	612	340	<b>S E T F G 6 0 0 9</b>			
	Additional accessories Design installationsset chrome:				P Z 1 3 8 9 1 E			
<b>additional cabinets</b>								
	<b>Highboard</b> 1 door 2 glass shelves 1 glass topcover optiwhite 175 mm	150	200	808	<b>H B A 5 1 2 A 1 1</b>		L/R	
800								
	<b>Shelf</b> 4 glass shelves in optiwhite 1 glass plate in optiwhite with depth 152 mm	150	200	808	<b>R G 5 1 2 0 1 E</b>			
200								

You find information on the the washbasin manufacturer at the beginning of the sales book.

**\*Delivery time: 8 weeks. Price per washbasin. Washbasin without tap hole is incompatible with CLOU System. Please check your order confirmation for correctness.**

# Program 039 - model list

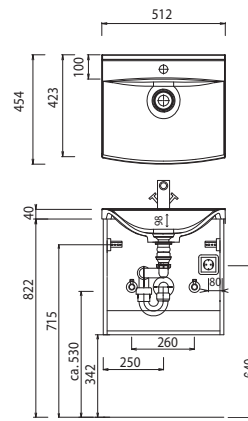
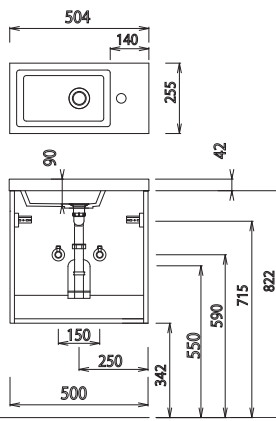
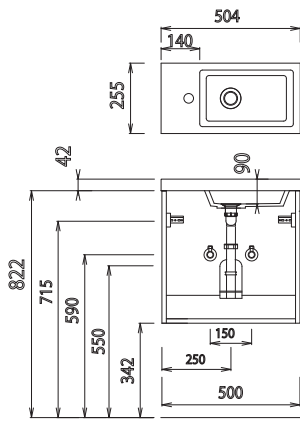
The numbers represent POINTS not prices

Depth indication corresponds to the carcass depth	Depth in mm	Width in mm	Height in mm	Article number	Hinge	Surcharge high-gloss carcass
 <p><b>Glass shelf</b> incl. metal holder</p> <p><b>400 mm wide</b> incl. 2 metal brackets</p>	130	400	8	<b>A B G 1 3 4 0 0 8</b>		
 <p><b>Push-fit shelf</b> with ABS thick edge all around incl. holders for push fit shelf</p> <p><b>200 mm wide</b> incl. 2 push-fit holder</p> <p><b>400 mm wide</b> incl. 2 push-fit holder</p>	150	200	28	<b>S B G 6 0 2 0</b>		
 <p><b>Cosmetic mirror</b> 2-times magnified vacuum cup and fixation metal fixing bracket chrome</p>	30	150	150	<b>P Z 1 2 3 3</b>		
 <p><b>LED lighting element</b> Width: 280 mm 4,8 watt / 366 lumens / 6000 Kelvin optimal accessories for mirrors This product contains a light source with energy efficiency class: G</p>	100	280	38	<b>P Z 1 0 7 9 2 5</b>		

# Program 039 - dimensional drawings

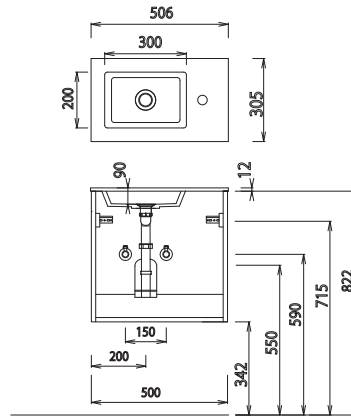
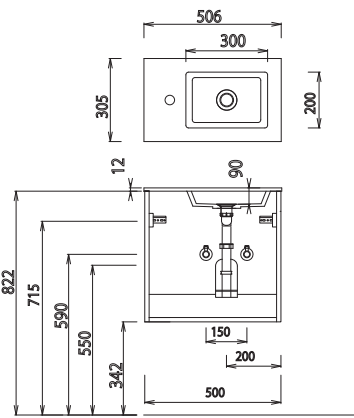
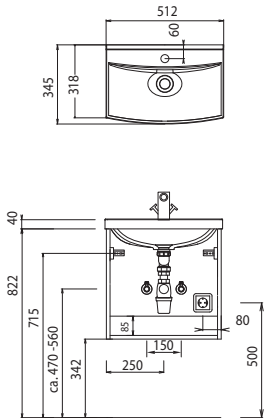
SET FG50 01

SET FG50 04



SET VU50

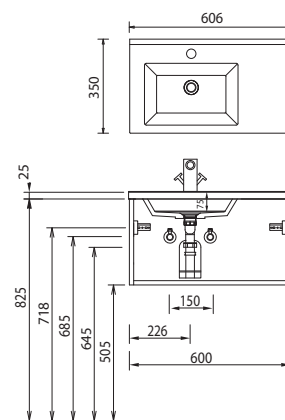
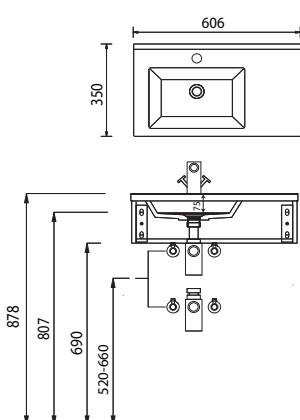
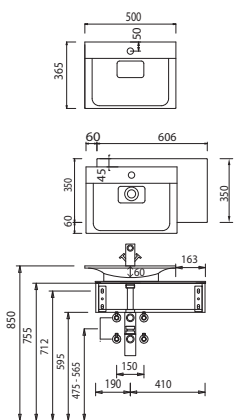
SET FG50 02



SET FG60 02

SET FG60 03

SET FG60 04



For washing stands with fixing screws, the dimensions for boring must be drawn in on-site after the washing stand has been laid on the floor unit.

**Washing stands without anchoring brackets have to be fixed on the wall and on the furniture-side with silicon!**

Cast mineral/evermite/STONEPLUS:

The water temperature must not exceed 55° C / 131° F. Hair tinting lotions have to be removed immediately, so that staining can be avoided.

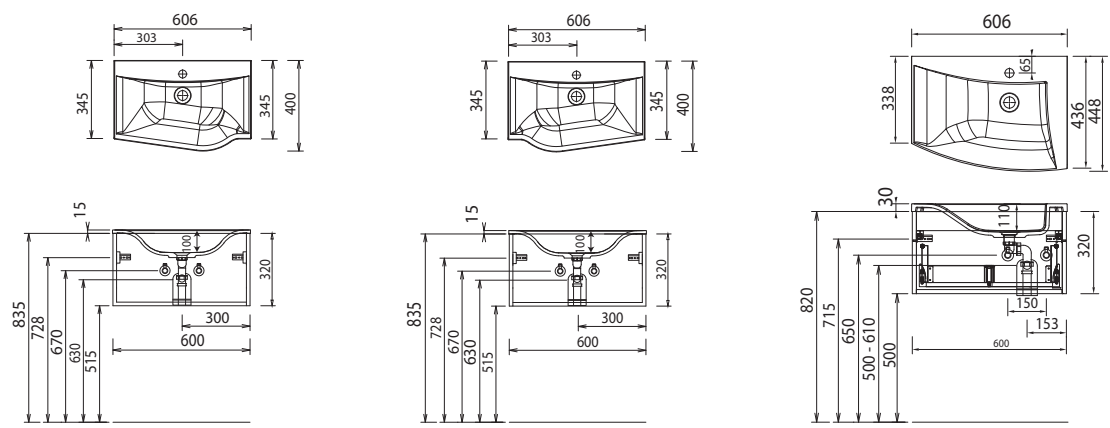
Modifications:

Technical modifications (+/- 5mm) and flatness modifications (DIN 18202) are subject of the usual material-specific modifications for construction materials, based on DIN 18202.

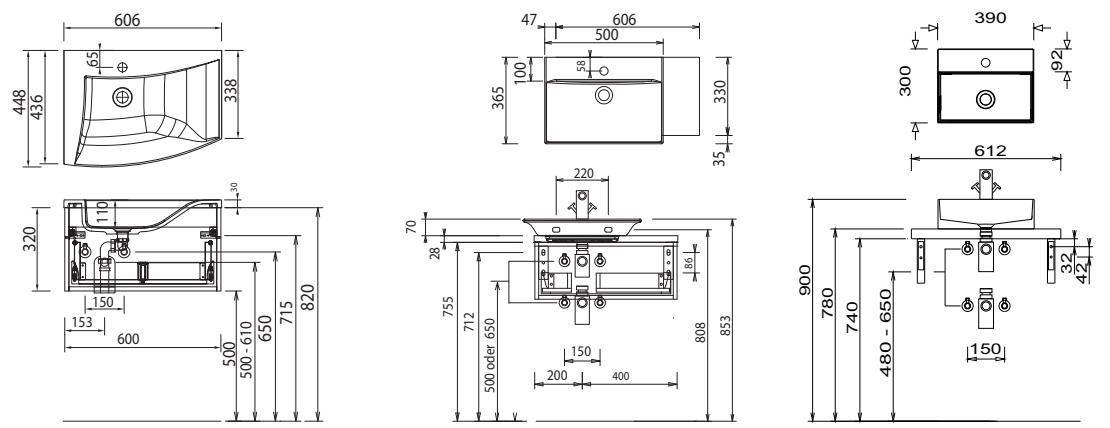


# Program 039 - dimensional drawings

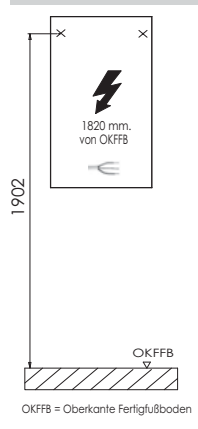
## SET FG60 05 L                      SET FG60 05 R                      SET FG60 07 L



## SET FG60 07 R                      SET FG60 08                      SET FG60 09



## electrical connections for mirror cabinets



For washing stands with fixing screws, the dimensions for boring must be drawn in on-site after the washing stand has been laid on the floor unit.

**Washing stands without anchoring brackets have to be fixed on the wall and on the furniture-side with silicon!**  
 Cast mineral/evermite/STONEPLUS:  
 The water temperature must not exceed 55° C / 131° F. Hair tinting lotions have to be removed immediately, so that staining can be avoided.

**Modifications:**  
 Technical modifications (+/- 5mm) and flatness modifications (DIN 18202) are subject of the usual material-specific modifications for construction materials, based on DIN 18202.