












Program 021 - model list

Depth indication corresponds to the carcass depth		Depth in mm	Width in mm	Height in mm	Article number	Hinge
 <p>STONEPLUS washbasin, 800 mm colour white inkl. concealed overflow system chrome finish with STONEPLUS cover cap</p> <p>can combined with WUA 3380 08</p> <p>Additional accessories Additional price for Washbasin without tap hole / with 3 holes (acc. to sketch).</p>		535	812	25	WMS 3 5 0 8 6 1	
 <p>STONEPLUS washbasin, 1000 mm colour white inkl. concealed overflow system chrome finish with STONEPLUS cover cap</p> <p>can combined with WUA 3310 08</p> <p>Additional accessories Additional price for Washbasin without tap hole / with 3 holes (acc. to sketch).</p>		535	1012	25	WMS 3 5 1 0 6 1	
 <p>STONEPLUS washbasin, 1.200 mm colour white inkl. concealed overflow system chrome finish with STONEPLUS cover cap</p> <p>can combined with WUA 3312 08, WUA 3380 08 + 2x RV 31V T1</p> <p>Additional accessories Additional price for Washbasin without tap hole / with 3 holes (acc. to sketch).</p>		535	1212	25	WMS 3 5 1 2 6 1	
 <p>STONEPLUS double washbasin, 1700 mm colour white incl. 2 CLOU drain and overflow systems with STONEPLUS cover caps</p> <p>can combined with 2x WUA 3370 08 + RV 31V T1, 2x WUA 3370 08 + UTA 3630 P4</p> <p>Additional accessories Additional price for Washbasin without tap hole / with 3 holes (acc. to sketch).</p>		535	1712	25	WMS 3 5 2 D 6 1	
 <p>Evermite washbasin 600 mm colour white incl. CLOU drain and overflow system in chrome can combined with WUA 3360 08, WUA 5460 4U</p> <p>without LED lighting</p> <p>with LED lighting 1 LED converter 12 V, 15 Watt 238 lumens / 6500 Kelvin 1 motion sensor This product contains a light source with energy efficiency class: F</p> <p>Additional accessories Surcharge for washbasins without tap-hole or with 3 holes (according to sketch)</p>		527	606	30	WMS 9 5 0 6 2 1	
		527	606	30	SWM 9 5 0 6 B 4	

You find information on the the washbasin manufacturer at the beginning of the sales book.
***Delivery time: 8 weeks. Price per washbasin. Washbasin without tap hole is incompatible with CLOU System. Please check your order confirmation for correctness.**




Program 021 - model list

Depth indication corresponds to the carcass depth		Depth in mm	Width in mm	Height in mm	Article number	Hinge
Washbasins						
 	Evermite washbasin 700 mm colour white incl. CLOU drain and overflow system in chrome can combined with WUA 3370 08, WUA 5470 4U					
	without LED lighting Evermite washbasin with LED lighting 1 LED converter 12 V, 15 Watt 281 lumens / 6500 Kelvin 1 motion sensor This product contains a light source with energy efficiency class: F Additional accessories Surcharge for washbasins without tap-hole or with 3 holes (according to sketch)	527	706	30	WMS 9 5 0 7 2 1	
 	Evermite washbasin 800 mm colour white incl. CLOU drain and overflow system in chrome can combined with WUA 3380 08, WUA 5480 4U					
	without LED lighting with LED lighting 1 LED converter 12 V, 15 Watt 324 lumens / 6500 Kelvin 1 motion sensor This product contains a light source with energy efficiency class: F Additional accessories Surcharge for washbasins without tap-hole or with 3 holes (according to sketch)	527	806	30	WMS 9 5 0 8 2 1	
 	Evermite washbasin 900 mm colour white incl. CLOU drain and overflow system in chrome can combined with WUA 3390 08, WUA 5490 4U					
	without LED lighting with LED lighting 1 LED converter 12 V, 15 Watt 367 lumens / 6500 Kelvin 1 motion sensor This product contains a light source with energy efficiency class: F Additional accessories Surcharge for washbasins without tap-hole or with 3 holes (according to sketch)	527	906	30	WMS 9 5 0 9 2 1	

You find information on the the washbasin manufacturer at the beginning of the sales book.






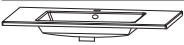


***Delivery time: 8 weeks. Price per washbasin. Washbasin without tap hole is incompatible with CLOU System. Please check your order confirmation for correctness.**

Program 021 - model list

Depth indication corresponds to the carcass depth		Depth in mm	Width in mm	Height in mm	Article number	Hinge
Washbasins						
 <p>STONEPLUS - single washbasin 1000 mm colour white incl. CLOU drain and overflow system in chrome can combined with WUA 3310 08, WUA 5410 4U</p>	without LED lighting	527	1006	30	WMS 9 5 1 0 2 1	
	with LED lighting 1 LED converter 12 V, 15 Watt 410 lumens / 6500 Kelvin 1 motion sensor This product contains a light source with energy efficiency class: F	527	1006	30	SWM 9 5 1 0 B 4	
Additional accessories Surcharge for washbasins without tap-hole or with 3 holes (according to sketch)						
 <p>Evermite washbasin 1200 mm colour white incl. CLOU drain and overflow system in chrome can combined with WUA 3312 08, WUA 5412 4U</p>	without LED lighting	527	1206	30	WMS 9 5 1 2 2 1	
	with LED lighting 1 LED converter 12 V, 15 Watt 497 lumens / 6500 Kelvin integrated sensor switcher This product contains a light source with energy efficiency class: F	527	1206	30	SWM 9 5 1 2 B 4	
Additional accessories Surcharge for washbasins without tap-hole or with 3 holes (according to sketch)						
 <p>Evermite double washbasin 1200 mm colour white incl. CLOU drain and overflow system in chrome can be combined with WUA 332D 08, WUA 542D 4U, WUA 54D2 4U</p>	without LED lighting	527	1206	30	WMS 9 5 2 D 2 1	
	with LED lighting 1 LED converter 12 V, 15 Watt 497 lumens / 6500 Kelvin 1 motion sensor This product contains a light source with energy efficiency class: F	527	1206	30	SWM 9 5 2 D B 4	
Additional accessories Surcharge for washbasins without tap-hole or with 3 holes (according to sketch)						





You find information on the the washbasin manufacturer at the beginning of the sales book.
***Delivery time: 8 weeks. Price per washbasin. Washbasin without tap hole is incompatible with CLOU System. Please check your order confirmation for correctness.**

Program 021 - model list

Depth indication corresponds to the carcass depth		Depth in mm	Width in mm	Height in mm	Article number		Hinge		
	Ceramic washbasin white can be combined with WUA 3360 08, WUA 5460 4U	500	620	18	WTM	4 4 0 6 1			
	Ceramic washbasin white can be combined with WUA 3370 08, WUA 5470 4U	500	720	18	WTM	4 4 0 7 1			
	Ceramic washbasin white can be combined with WUA 3380 08, WUA 5480 4U	500	820	18	WTM	4 4 0 8 1			
	Ceramic washbasin white can be combined with WUA 3390 08, WUA 5490 4U	500	920	18	WTM	4 4 0 9 1			
	Ceramic washbasin white can be combined with WUA 3310 08, WUA 5410 4U	500	1020	18	WTM	4 4 1 0 1			
	Ceramic washbasin Single washbasin white can be combined with WUA 3312 08, WUA 5412 4U	500	1220	18	WTM	4 4 1 2 1			
	Ceramic washbasin Double washbasin white can be combined with WUA 332D 08, WUA 542D 4U, WUA 54D2 4U	500	1220	18	WTM	4 4 2 D 1			
Washbasin base units									
	Washbasin base unit 1 metal pull out unit with buffered closing central 1 metal pull-out with buffered closing incl. drawer rail 600 mm wide 700 mm wide 800 mm wide 900 mm wide 1000 mm wide 1200 mm wide Additional accessories Space-saving drain stench trap DN 40 Space-saving drain stench trap DN 32	470	600	480	WUA	3 3 6 0 0 8			
		470	700	480	WUA	3 3 7 0 0 8			
		470	800	480	WUA	3 3 8 0 0 8			
		470	900	480	WUA	3 3 9 0 0 8			
		470	1000	480	WUA	3 3 1 0 0 8			
		470	1200	480	WUA	3 3 1 2 0 8			
					P Z	1 3 6 7			
					P Z	1 4 2 3			

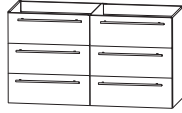


You find information on the the washbasin manufacturer at the beginning of the sales book.
Please observe the product details of the accessories in the separate index.

Program 021 - model list

	Depth in mm	Width in mm	Height in mm	Article number	Hinge
Depth indication corresponds to the carcass depth					
Washbasin base units					
 <p>Washbasin base unit for double washbasin solutions 2 metal pull out units with buffered closing and syphon cut- out 2 metal pull outs with buffered closing and rail 1200 mm wide Additional accessories Space-saving drain stench trap DN 40 (order 2 pieces) Space-saving drain stench trap DN 32 (order 2 pieces)</p>	470	1200	480	W U A 3 3 2 D 0 8 P Z 1 3 6 7 P Z 1 4 2 3	
 <p>Shelf variable dimensions 1 fixed shelf</p>	301-470	150-600	480	R V 3 1 V T 1	
 <p>washbasin base unit, 300 mm 2 metal pull-outs with buffered closing</p>	470	300	480	U T A 3 6 3 0 P 4	
 <p>Washbasin base unit Suitable for the following washbasins: Ceramic washbasin WTM 44xx 1 Evermite washbasin WMS/SWM 95xx 21/B4 1 metal pull out unit with buffered closing 2 metal pull outs with buffered closing and rail 600 mm wide 700 mm wide 800 mm wide 900 mm wide 1000 mm wide 1200 mm wide for single washbasin solution 1200 mm wide for double washbasin solutions Additional accessories Space-saving drain stench trap DN 40 Space-saving drain stench trap DN 32 Because of the heavy load only mountable with the decorative base incl. 4 feet or with the socket.</p>	470	600	720	W U A 5 4 6 0 4 U W U A 5 4 7 0 4 U W U A 5 4 8 0 4 U W U A 5 4 9 0 4 U W U A 5 4 1 0 4 U W U A 5 4 1 2 4 U W U A 5 4 2 D 4 U P Z 1 3 6 7 P Z 1 4 2 3	

You find information on the the washbasin manufacturer at the beginning of the sales book.
 Please observe the product details of the accessories in the separate index.

Program 021 - model list



Depth indication corresponds to the carcass depth	Depth in mm	Width in mm	Height in mm	Article number			Hinge			
Washbasin base units										
	Washbasin base unit for double washbasin solutions			Suitable for the following washbasins: Ceramic washbasin WTM 442D 1 Evermite washbasin WMS/SWM 952D 21/B4 2 metal pull out units with buffered closing and syphon cut- out 4 metal pull-outs with buffered closing						
1200 mm wide				470	1200	720	W U A 5 4 D 2 4 U			
Additional accessories				Space-saving drain stench trap DN 40 (order 2 pieces) Space-saving drain stench trap DN 32 (order 2 pieces)				P Z	1 3 6 7	
Because of the heavy load only mountable with the decorative base incl. 4 feet or with the socket.				P Z				1 4 2 3		
	Decor base incl. 4 feet for vanity units			adjustable in height (+ / - 5 mm) 1 decor panel optional with chrome edge or black edge: no. 129 chrome no. 144 black 4 decorative feet chrome or black: no. 101 chrome no. 043 black Units have to be extra wall-fixed, to avoid fall-overs						
600 mm wide				487	594	132	P Z 1 5 0 0 6 0			
700 mm wide				487	694	132	P Z 1 5 0 0 7 0			
800 mm wide				487	794	132	P Z 1 5 0 0 8 0			
900 mm wide				487	894	132	P Z 1 5 0 0 9 0			
1000 mm wide				487	994	132	P Z 1 5 0 0 1 0			
1200 mm wide				487	1194	132	P Z 1 5 0 0 1 2			
	Plinth with ABS edge variable in width in carcass colour			173-600	300-1800	150	S O C K E L 6 0 V			
Please indicate measures for carcass, pedestal will be manufactured accordingly.				Price per metre						

You find information on the the washbasin manufacturer at the beginning of the sales book.
 Please observe the product details of the accessories in the separate index.


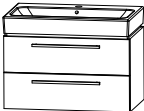
Program 021 - model list

Depth indication corresponds to the carcass depth

Set: Washbasin + base unit 600 mm

		Article number				Hinge
 <p>Subway 2.0 650 Villeroy&Boch</p>	Subway 2.0 650, WTM 3606-1, washbasin base unit, WUA 3760 3	white	SET	S 2 6 5	01	
	Subway 2.0 650, WTM 3606-21*, washbasin base unit, WUA 3760 3	white CeramicPlus	SET	S 2 6 5	21	
washbasin with overflow hole						
 <p>iCon 600 Geberit</p>	iCon 600, WTM 3960 1 washbasin base unit, WUA 376A 11	white	SET	I C 6 0	01	
	washbasin with overflow hole					

Set: washbasin + base unit 750 mm

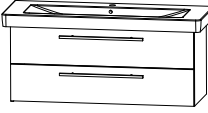
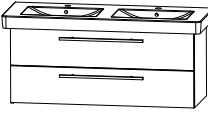

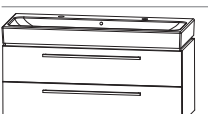
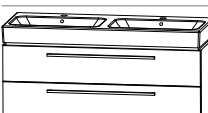
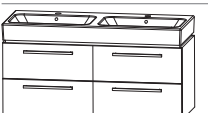
 <p>Subway 2.0 800 Villeroy&Boch</p>	Subway 2.0 800, WTM 3608-1, washbasin base unit, WUA 3775 3	white	SET	S 2 8 0	01	
	Subway 2.0 800, WTM 3608-21*, washbasin base unit, WUA 3775 3	white CeramicPlus	SET	S 2 8 0	21	
washbasin with overflow hole						
 <p>iCon 750 Geberit</p>	iCon 750, WTM 3975 1 washbasin base unit WUA 377A 11	white	SET	I C 7 5	01	
	washbasin with overflow hole					

Set: washbasin + base unit 900 mm

 <p>Subway 2.0 1000 Villeroy&Boch</p>	Subway 2.0 1000, WTM 3610-1, washbasin base unit, WUA 3790 3	white	SET	S 2 1 0	01	
	Subway 2.0 1000, WTM 3610-21*, washbasin base unit, WUA 3790 3	white CeramicPlus	SET	S 2 1 0	21	
washbasin with overflow hole						
 <p>iCon 900 Geberit</p>	iCon 900, WTM 399M 1 washbasin base unit WUA 379A 11	white	SET	I C 9 0	01	
	washbasin with overflow hole					

Ceramic washbasins with special coating are excluded from this delivery time.
Please observe a matching space-saving drain stench trap in the separate index accessories.
You find information on the the washbasin manufacturer at the beginning of the sales book.

Program 021 - model list

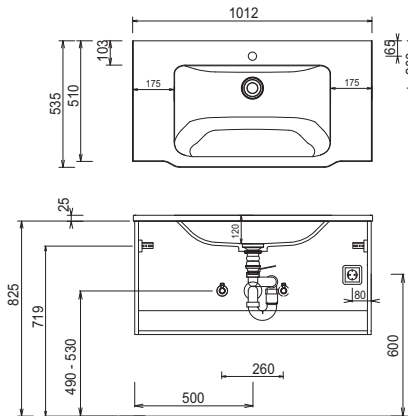
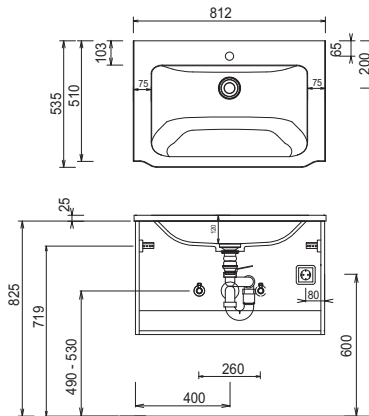
		Article number	Hinge
Depth indication corresponds to the carcass depth			
Set: washbasin + base unit 1200 mm			
 <p>Subway 2.0 1300 Single washbasin Villeroy&Boch</p>	<p>Subway 2.0 1300, WTM 3613 1, washbasin base unit, WUA 3712 E3</p> <p>white</p>	SET S 21 E 01	
	<p>Subway 2.0 1300, WTM 3613-21* washbasin base unit, WUA 3712 E3</p> <p>white CeramicPlus</p> <p>washbasin with overflow hole</p>	SET S 21 E 21	
 <p>Subway 2.0 1300 Double washbasin Villeroy&Boch</p>	<p>Subway 2.0 1300, WTM 3713-1 double, washbasin base unit, WUA 3712 3</p> <p>white</p>	SET S 213 01	
	<p>Subway 2.0 1300, WTM 3713-21* double, washbasin & base unit washbasin base unit, WUA 3712 3</p> <p>white CeramicPlus</p> <p>washbasin with overflow hole</p>	SET S 213 21	
 <p>Subway 2.0 1300 Double washbasin Villeroy&Boch</p>	<p>Subway 2.0 1300, WTM 3713-1 double, washbasin base unit, WUA 372D 3</p> <p>white</p>	SET S 23 D 01	
	<p>Subway 2.0 1300, WTM 3713-21* double, washbasin base unit, WUA 372D 3</p> <p>white CeramicPlus</p> <p>washbasin with overflow hole</p>	SET S 23 D 21	
 <p>ICON 1200 2 tap holes Geberit</p>	<p>Icon 1200, WTM 3922 1 washbasin base unit: WUA 371E 11</p> <p>white</p> <p>washbasin with overflow hole</p> <p>With two single-lever mixers and eccentric operation, or in combination with a push-open valve, please do not exceed the max. flow performance of 7.5 l/min per mixer.</p>	SET I 21 D 01	
 <p>ICON 1200 Double washbasin Geberit</p>	<p>Icon 1200, WTM 392D 1 washbasin base unit WUA 371A 11</p> <p>white</p> <p>washbasin with overflow hole</p>	SET I 11 D 01	
 <p>ICON 1200 Double washbasin Geberit</p>	<p>Icon 1200, WTM 392D 1 washbasin base unit, WUA 372A 11</p> <p>white</p> <p>washbasin with overflow hole</p>	SET I C 2 D 01	

Ceramic washbasins with special coating are excluded from this delivery time.
Please observe a matching space-saving drain stench trap in the separate index accessories.
You find information on the the washbasin manufacturer at the beginning of the sales book.

Program 021 - dimensional drawings

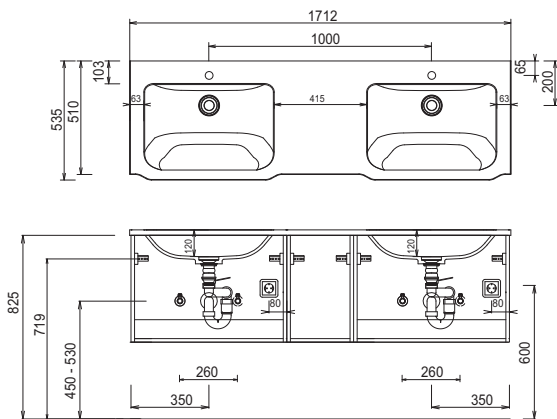
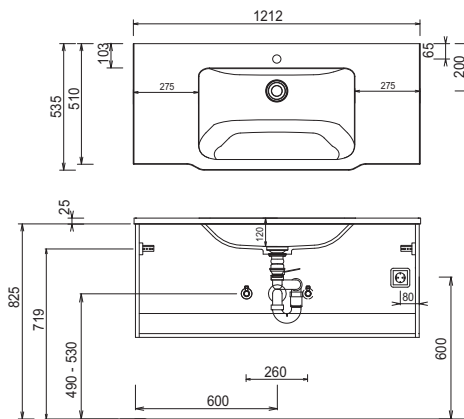
WMS 3508 61 + WUA 3380 08

WMS 3510 61 + WUA 3310 08



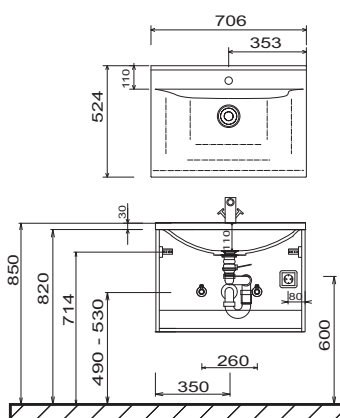
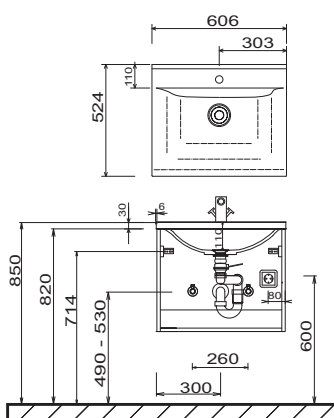
WMS 3512 61 + WUA 3312 08

WMS 352D 61 + 2x WUA 3370 08 +
RV 31V T1



WMS 9506 21 & SWM 9506 B4

WMS 9507 21 & SWM 9507 B4



For washing stands with fixing screws, the dimensions for boring must be drawn in on-site after the washing stand has been laid on the floor unit.

The fastening screws must be screwed.

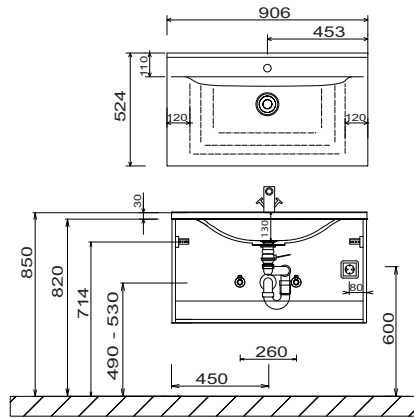
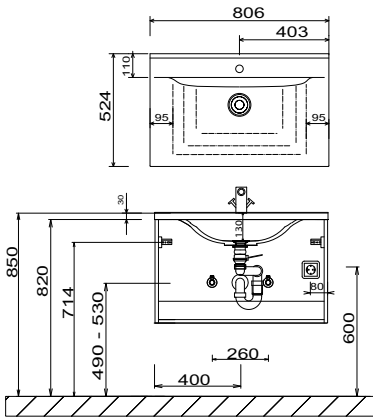
Modifications:

Technical modifications (+/- 5mm) and flatness modifications (DIN 18202) are subject of the usual material-specific modifications for construction materials, based on DIN 18202.

Program 021 - dimensional drawings

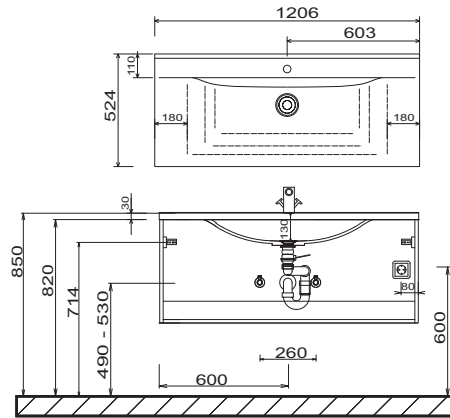
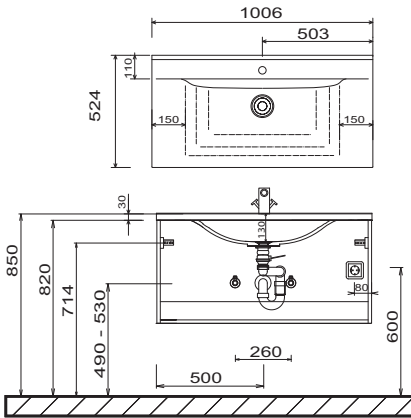
WMS 9508 21 & SWM 9508 B4

WMS 9509 21 & SWM 9509 B4



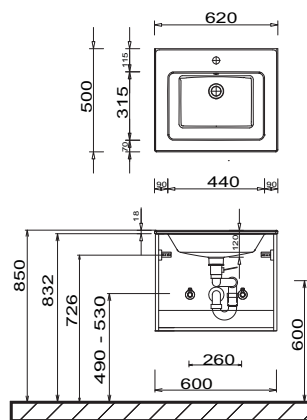
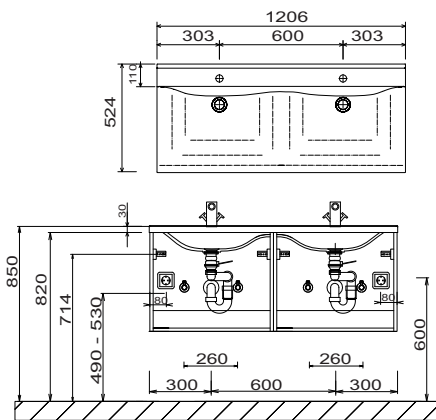
WMS 9510 21 & SWM 9510 B4

WMS 9512 21 & SWM 9512 B4



WMS 952D 21 & SWM 952D B4

WTM 4406 1



For washing stands with fixing screws, the dimensions for boring must be drawn in on-site after the washing stand has been laid on the floor unit.

The fastening screws must be screwed.

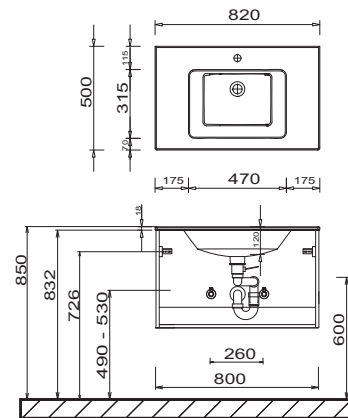
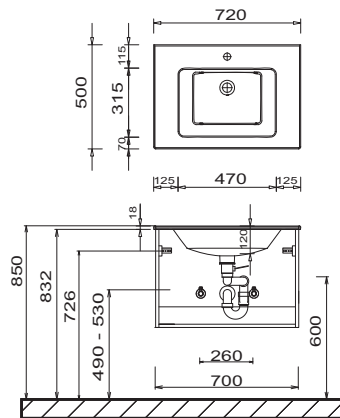
Modifications:

Technical modifications (+/- 5mm) and flatness modifications (DIN 18202) are subject of the usual material-specific modifications for construction materials, based on DIN 18202.

Program 021 - dimensional drawings

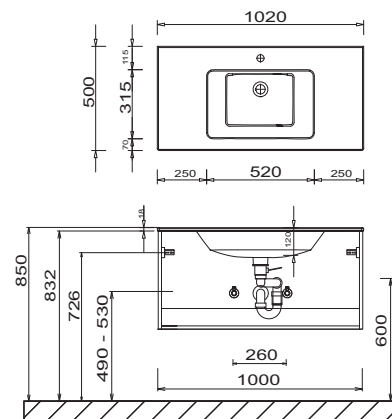
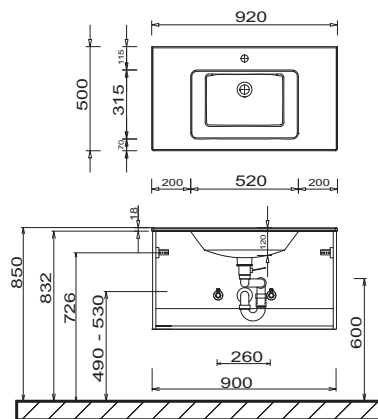
WTM 4407 1

WTM 4408 1



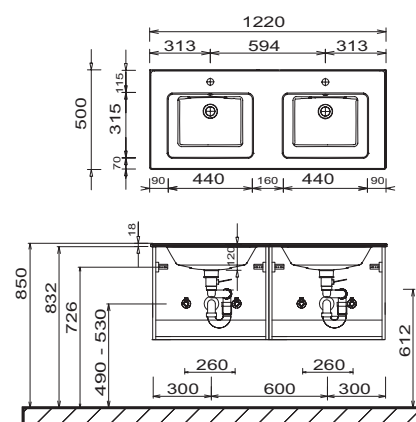
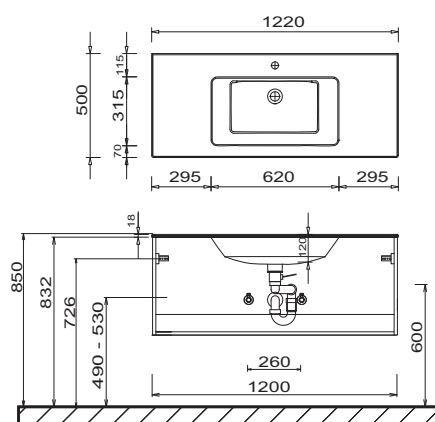
WTM 4409 1

WTM 4410 1



WTM 4412 1

WTM 442D 1



For washing stands with fixing screws, the dimensions for boring must be drawn in on-site after the washing stand has been laid on the floor unit.

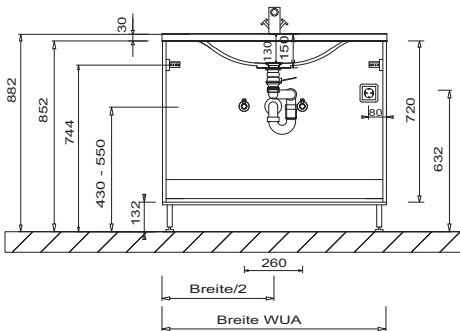
The fastening screws must be screwed.

Modifications:

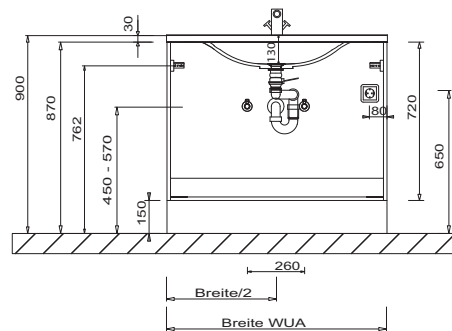
Technical modifications (+/- 5mm) and flatness modifications (DIN 18202) are subject of the usual material-specific modifications for construction materials, based on DIN 18202.

Program 021 - dimensional drawings

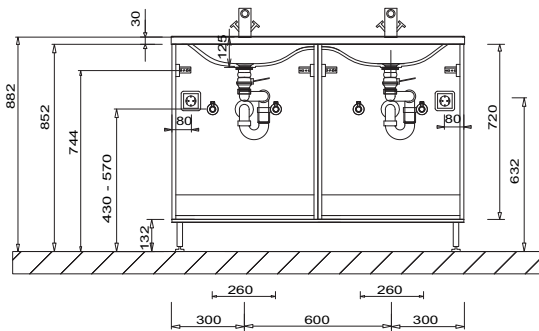
evermite washbasin + washbasin base unit + decorative plate with 4 feet



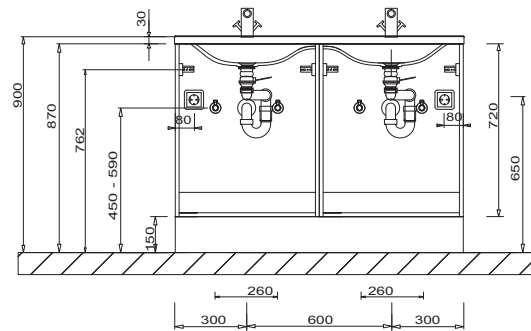
evermite washbasin + washbasin base unit with 3 pull outs + base



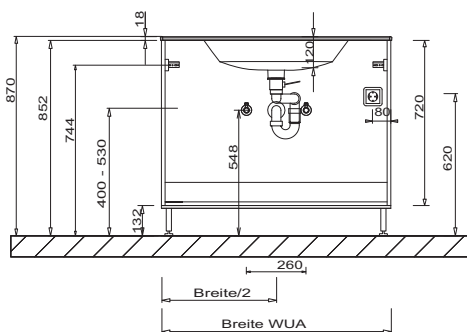
evermite washbasin + washbasin base unit with 6 pull outs + decorative plate with 4 feet



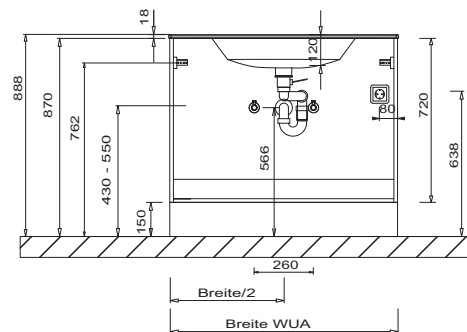
evermite washbasin + washbasin base unit with 6 pull outs + base



evermite washbasin + washbasin base unit with 3 pull outs + decorative plate with 4 feet



ceramic washbasin + washbasin base unit with 3 pull outs + base



For washing stands with fixing screws, the dimensions for boring must be drawn in on-site after the washing stand has been laid on the floor unit.

The fastening screws must be screwed.

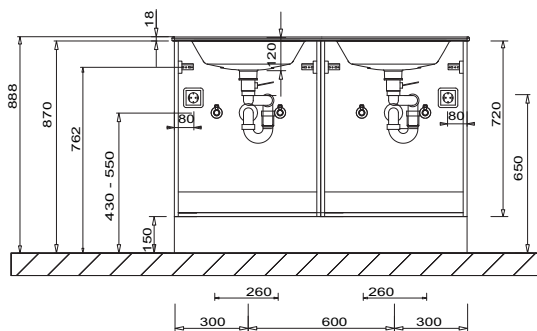
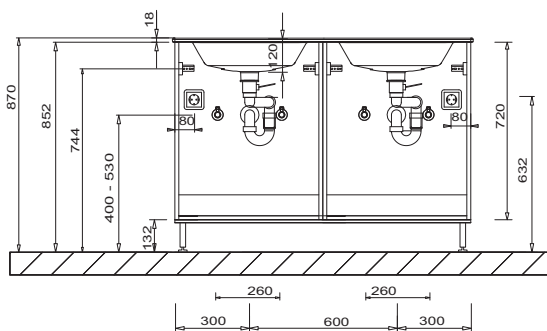
Modifications:

Technical modifications (+/- 5mm) and flatness modifications (DIN 18202) are subject of the usual material-specific modifications for construction materials, based on DIN 18202.

Program 021 - dimensional drawings

ceramic washbasin + washbasin base unit with 6 pull outs + decorative plate with 4 feet

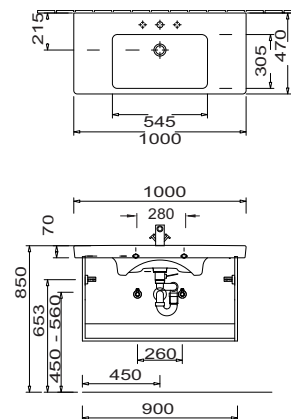
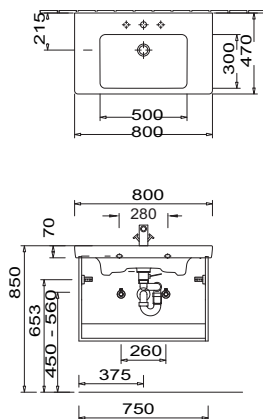
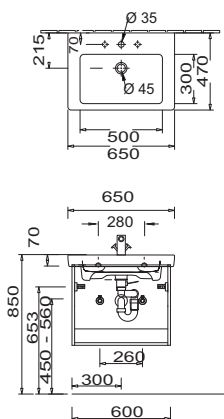
ceramic washbasin + washbasin base unit with 6 pull outs + base



SET S265 01/21

SET S280 01/21

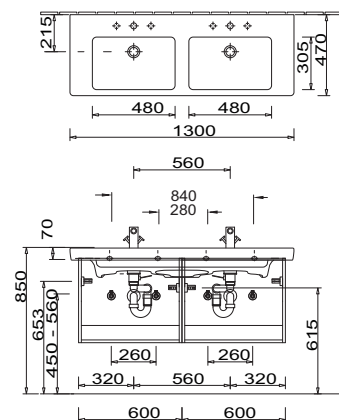
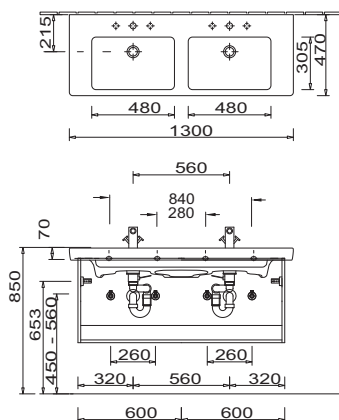
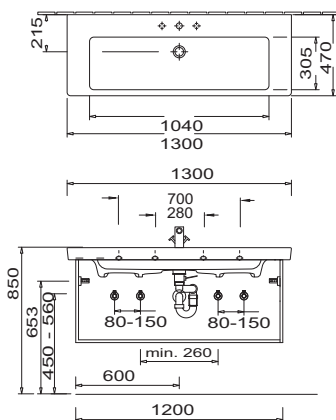
SET S210 01/21



SET S21E 01/21

SET S213 01/21

SET S23D 01/21



For washing stands with fixing screws, the dimensions for boring must be drawn in on-site after the washing stand has been laid on the floor unit.

The fastening screws must be screwed.

Modifications:

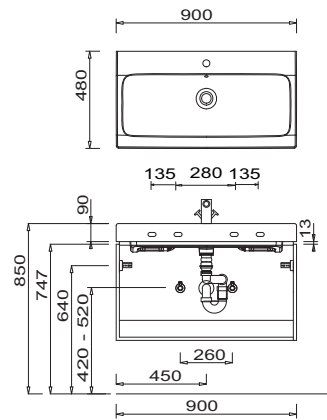
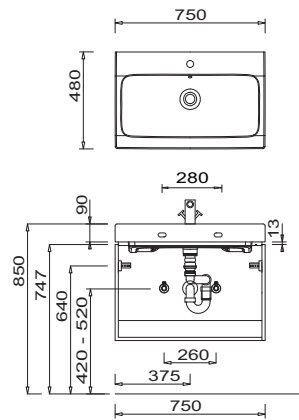
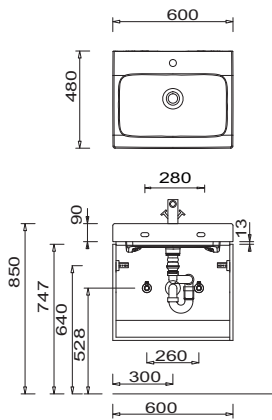
Technical modifications (+/- 5mm) and flatness modifications (DIN 18202) are subject of the usual material-specific modifications for construction materials, based on DIN 18202.

Program 021 - dimensional drawings

SET IC60 01

SET IC75 01

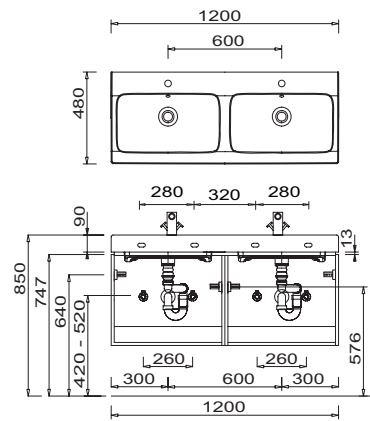
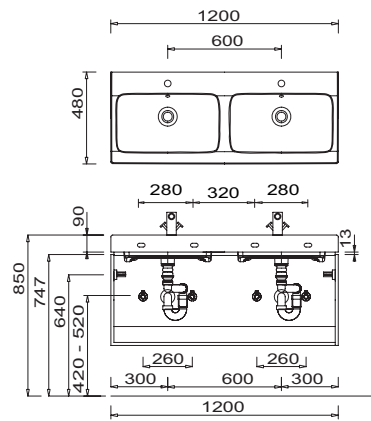
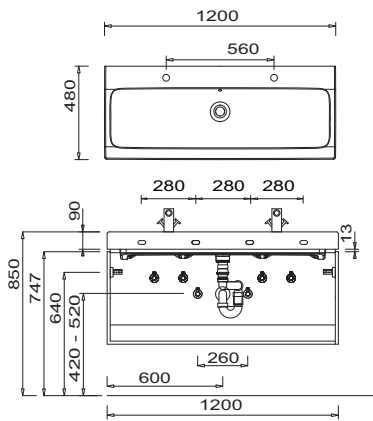
SET IC90 01



SET I21D 01

SET I11D 01

SET IC2D 01



For washing stands with fixing screws, the dimensions for boring must be drawn in on-site after the washing stand has been laid on the floor unit.

The fastening screws must be screwed.

Modifications:

Technical modifications (+/- 5mm) and flatness modifications (DIN 18202) are subject of the usual material-specific modifications for construction materials, based on DIN 18202.