

## Programm 021 - panel cut-outs

The order and order confirmation will follow once the sketch has been approved in writing.

### Standard cut-outs:

For all washbasins in the programme Laguna Platino 2.0 and Platino 2.0 guest WC:

The cut-outs for standard washbasins are fixed in the positioning of the depth.

Please indicate the positioning in width in mm (outer edge to middle of basin in mm).

The tap holes have a standard diameter of 35 mm.

### Customer-specified cut-outs:

A sketch with all dimensions must be enclosed with every order.

The order and order confirmation will follow once the sketch has been approved in writing.

For customer-specified cut-outs on standard washbasins, please state the position of the depth and width in mm (outer edge to middle of basin in mm, rear edge to middle of basin in mm).

For washstands by other manufacturers:

For customer-specified cut-outs for washbasins by other manufacturers, please state the position of the depth and width in mm (outer edge to middle of basin in mm, rear edge to middle of basin in mm).

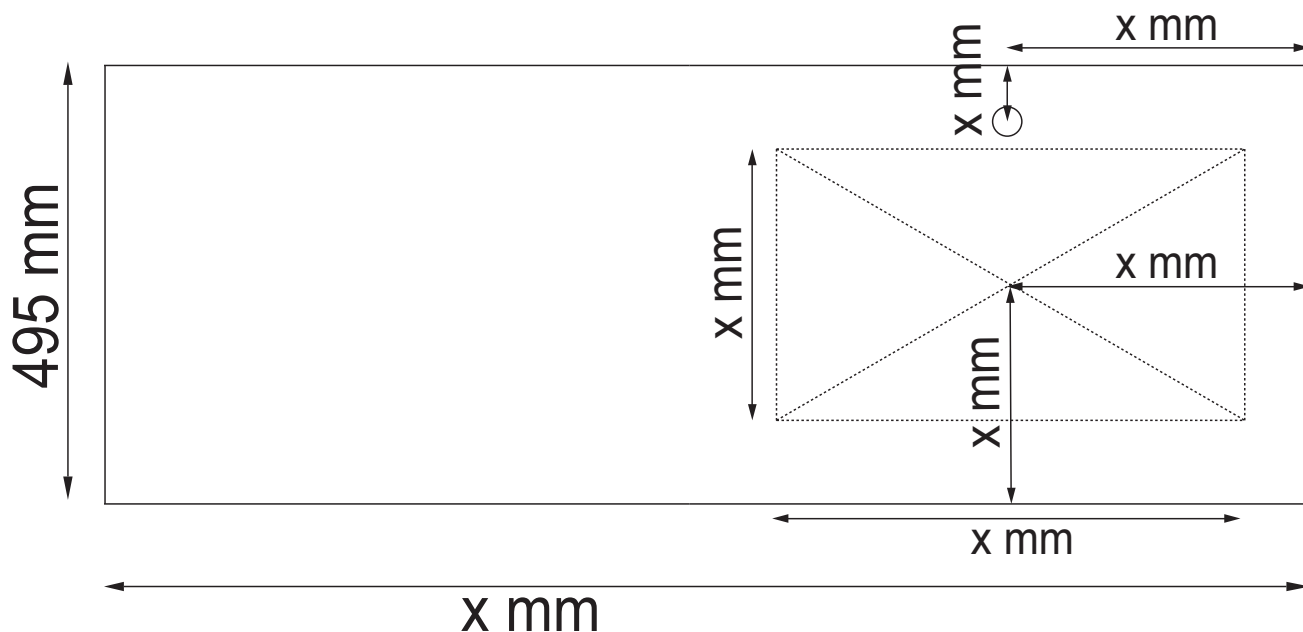
For cut-outs for washbasins by other manufacturers, please provide the name and exact item number of the washbasin.

A drill hole for taps can be made for customer-specified cut-outs for washbasins by other manufacturers.

Please provide the dimensions and the position of the depth and width in mm (outer edge to middle of drill hole in mm, rear edge to middle of drill hole in mm).

The following sketch of the cut-out is for illustrative purposes only.

Please send such a sketch of the cut-out of an panel with every order.



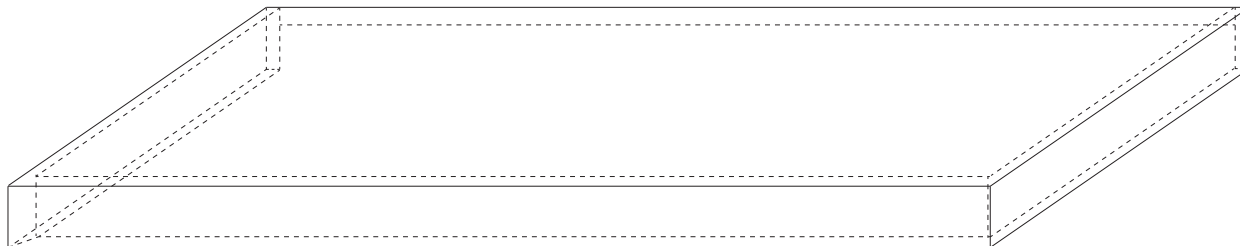
An order form is available from your service team or at our homepage.

## programm 021 - washbasin plate

Please note the following information according to the condition of the 60 mm high washbasin plates:

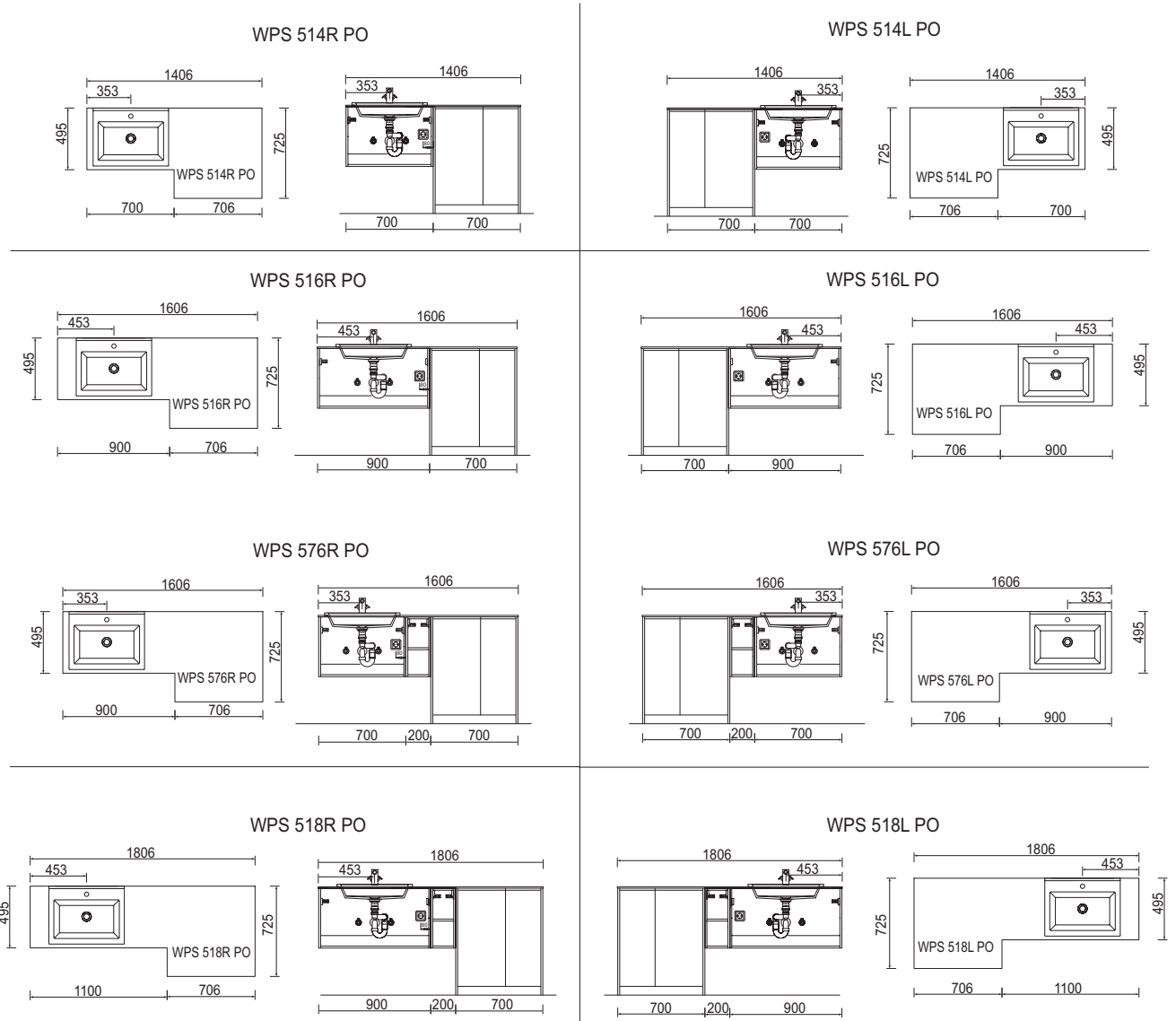
washbasin plate thermo coated 60 mm high  
18 mm thick angled on a mitre with 3 mm edge radius

Sketch of example:











# Programm 021 - panel cut-outs washbasin plate „Qsolid“ for washing machine housing

incl. washbasin cut-out for: STONEPLUS fitting washbasin








An order form is available from your service team or at our homepage.

# Program 021 - model list

		Depth in mm	Width in mm	Height in mm	Article number			
Depth indication corresponds to the carcass depth								
<b>cast mineral - topcover washbasin</b>								
	<b>cast mineral - topcover washbasin white</b> incl. permanent drain without tap hole without overflow  <b>Matching washstand cutout</b> with mixer tap drill hole <b>Matching washstand cutout</b> without mixer tap drill hole	340	490	60	<b>WTAS101 1</b>  <b>AUSS1M128</b> <b>AUSS1K128</b>			
	<b>cast mineral - topcover washbasin white</b> incl. permanent drain without tap hole without overflow  <b>Matching washstand cutout</b> with mixer tap drill hole <b>Matching washstand cutout</b> without mixer tap drill hole	340	600	60	<b>WTAS102 1</b>  <b>AUSS1M228</b> <b>AUSS1K228</b>			
 	<b>cast mineral - topcover washbasin white</b> incl. permanent drain incl. tap hole  <b>Matching washstand cutout</b>  Additional accessories CLOU drain and overflow system Surcharge for washbasins without tap-hole or with 3 holes (according to sketch)	423	490	60	<b>WTAS111 1</b>  <b>AUSS11128</b>  PZ 1109 1			
 	<b>cast mineral - topcover washbasin white</b> incl. permanent drain incl. tap hole  <b>Matching washstand cutout</b>  Additional accessories CLOU drain and overflow system Surcharge for washbasins without tap-hole or with 3 holes (according to sketch)	423	600	60	<b>WTAS112 1</b>  <b>AUSS11228</b>  PZ 1109 1			
<b>STONEPLUS-fitting washbasin</b>								
 	<b>STONEPLUS fitting washbasin</b> white without overflow incl. CLOU drain and overflow system with STONEPLUS cover cap  <b>Matching washstand cutout</b>	465	606	20	<b>WTA336E61</b>  <b>AUS336E28</b>			








You find information on the the washbasin manufacturer at the beginning of the sales book.  
**\*Delivery time: 8 weeks. Price per washbasin. Washbasin without tap hole is incompatible with CLOU System. Please check your order confirmation for correctness.**

# Program 021 - model list

Depth indication corresponds to the carcass depth		Depth in mm	Width in mm	Height in mm	Article number	Hinge
<b>Ceramic counter top washbasin</b>						
	<b>ceramic counter too Nizza</b> white incl. permanent drain  <b>Matching washstand cutout</b> without mixer tap drill hole	390	390	115	<b>W T A 3 9 0 0 1</b>  <b>A U S 3 9 0 0 2 8</b>	
	<b>ceramic counter too Málaga</b> white incl. tap hole with overflow  <b>Matching washstand cutout</b>	420	550	95	<b>W T A 4 2 5 5 1</b>  <b>A U S 4 2 5 5 2 8</b>	
	<b>V&amp;B MEMENTO 2.0 counter top washbasin 600</b> white <b>CeramikPlus*</b> incl. tap hole incl. permanent drain trailing edge not glazed  <b>Matching washstand cutout</b>	420	600	140	<b>W T A 0 9 0 6 2 1</b>  <b>A U S 0 4 0 6 2 8</b>	
	<b>counter top washbasin CUBE - square, white</b> incl. tap hole with overflow trailing edge not glazed  <b>counter top washbasin CUBE - square, IdealPlus white*</b> incl. tap hole with overflow trailing edge not glazed  <b>Matching washstand cutout</b>	460	550	140	<b>W T A 0 7 0 5 1</b>  <b>W T A 0 7 0 5 2 1</b>  <b>A U S 0 4 0 6 2 8</b>	
	<b>counter top washbasin Connect Air, white</b> incl. tap hole with overflow trailing edge not glazed  <b>counter top washbasin Connect Air, IdealPlus, white*</b> incl. tap hole with overflow trailing edge not glazed  <b>Matching washstand cutout</b>	460	550	100	<b>W T A 0 8 0 5 1</b>  <b>W T A 0 8 0 5 2 1</b>  <b>A U S 0 8 0 5 2 8</b>	






You find information on the the washbasin manufacturer at the beginning of the sales book.  
 Ceramic washbasins with special coating are excluded from this delivery time.

# Program 021 - model list

Depth indication corresponds to the carcass depth		Depth in mm	Width in mm	Height in mm	Article number			Hinge
<b>Ceramic counter top washbasin</b>								
	<b>counter top washbasin Squared Carbone matt</b> incl. permanent drain incl. tap hole							
	<b>500 mm wide</b>	450	500	125	<b>WTM 4 8 0 5 4 3</b>			
	<b>620 mm wide</b>	450	620	125	<b>WTM 4 8 0 6 4 3</b>			
	<b>Matching washstand cutout</b>				<b>AUS 4 8 0 5 2 8</b>			
	Additional accessories CLOU drain and overflow system				PZ 1 1 0 9 1			
	<b>counter top washbasin Squared white</b> incl. permanent drain incl. tap hole trailing edge not glazed							
	<b>500 mm wide</b>	450	500	125	<b>WTM 4 8 0 5 1</b>			
	<b>620 mm wide</b>	450	620	125	<b>WTM 4 8 0 6 1</b>			
	<b>810 mm wide</b>	450	810	125	<b>WTM 4 8 0 8 1</b>			
	<b>1020 mm wide</b>	450	1020	125	<b>WTM 4 8 1 0 1</b>			
	<b>Matching washstand cutout</b>				<b>AUS 4 8 0 5 2 8</b>			
	Additional accessories CLOU drain and overflow system				PZ 1 1 0 9 1			
	<b>counter top washbasin Squared white</b> incl. 2 tap holes with overflow trailing edge not glazed	450	1020	125	<b>WTM 4 8 2 1 1</b>			
	<b>Matching washstand cutout</b>				<b>AUS 4 8 2 1 2 8</b>			
	<b>counter top washbasin K-Line white</b> incl. tap hole with overflow trailing edge not glazed	460	710	65	<b>WTM 5 1 0 7 1</b>			
	<b>Matching washstand cutout</b>				<b>AUS 5 1 0 7 2 8</b>			
	<b>counter top washbasin K-Line white</b> incl. tap hole with overflow trailing edge not glazed	460	1010	65	<b>WTM 5 1 1 0 1</b>			
	<b>Matching washstand cutout</b>				<b>AUS 5 1 1 0 2 8</b>			




You find information on the the washbasin manufacturer at the beginning of the sales book.  
Ceramic washbasins with special coating are excluded from this delivery time.

## Program 021 - model list

Depth indication corresponds to the carcass depth		Depth in mm	Width in mm	Height in mm	Article number	Hinge
<b>Ceramic counter top washbasin</b>						
	<b>counter top washbasin V&amp;B LOOP - square, white</b> incl. permanent drain	380	585	110	<b>W T A 0 6 0 6 1</b>	
	<b>counter top washbasin V&amp;B LOOP - square, white*</b> incl. permanent drain	380	585	110	<b>W T A 0 6 0 6 2 1</b>	
	<b>Matching washstand cutout</b> without mixer tap drill hole				<b>A U S 0 5 K 6 2 8</b>	
	<b>Matching washstand cutout</b> with mixer tap drill hole				<b>A U S 0 5 M 6 2 8</b>	
	<b>counter top washbasin V&amp;B LOOP - oval, white</b> incl. permanent drain	380	585	110	<b>W T A 0 5 0 6 1</b>	
	<b>counter top washbasin V&amp;B LOOP - oval, white</b> <b>CeramikPlus*</b> incl. permanent drain	380	585	110	<b>W T A 0 5 0 6 2 1</b>	
	<b>Matching washstand cutout</b> without mixer tap drill hole				<b>A U S 0 5 K 6 2 8</b>	
	<b>Matching washstand cutout</b> with mixer tap drill hole				<b>A U S 0 5 M 6 2 8</b>	
	<b>counter top washbasin Melbourne, white</b> incl. tap hole incl. permanent drain	425	600	90	<b>W T A 1 1 0 4 1</b>	
	<b>Matching washstand cutout</b>				<b>A U S 1 1 0 4 2 8</b>	
	<b>counter top washbasin Melbourne, white</b> incl. tap hole incl. permanent drain	425	800	90	<b>W T A 1 1 0 5 1</b>	
	<b>Matching washstand cutout</b>				<b>A U S 1 1 0 5 2 8</b>	
	<b>counter top washbasin Melbourne oval</b> incl. tap hole incl. permanent drain without overflow	455	600	90	<b>W T A 1 1 0 7 1</b>	
	<b>Matching washstand cutout</b>				<b>A U S 1 1 0 7 2 8</b>	

You find information on the the washbasin manufacturer at the beginning of the sales book.  
Ceramic washbasins with special coating are excluded from this delivery time.




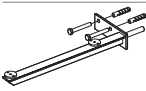
# Program 021 - model list

	Depth in mm	Width in mm	Height in mm	Article number			Hinge
<p>Depth indication corresponds to the carcass depth</p> <h2>Washbasin plates</h2>							
 <p><b>washbasin plate in oak solid</b> <b>price per metre</b> variable in width of 612 to 1.612 mm</p> <p>in oak solid Delivery time: 7 weeks</p> <p>6 mm have to be added at both sides - left/right Please refer to the information on cut-outs on page P21.1/P12.1. No cut-out possible for other manufactures</p> <p>Please note the additional price for washbasin cutouts.</p> <p>Attention: Variable articles are excepted from the delivery time!</p>	495	612-1612	40	<b>WPM</b>	<b>4 9 V O A</b>		
 <p><b>washbasin plate thermo coated</b> <b>price per metre</b> in front surface washbasin plate self-supporting please indicate colour version</p> <p>variable in width of 600 to 2.200 mm</p> <p>3 mm have to be added at both sides. left/right) Please refer to the information about cut-outs on page P21.1/P12.1 and about washbasin plates on page P21.2/P12.2.</p> <p>Please note the additional price for washbasin cutouts.</p> <p>from 600 mm lenght on incl. 2 wall fixings from 1306 mm lenght on incl. 3 wall fixings from 1650 mm lenght on incl. 4 wall fixings</p> <p>in the following front finishes: no. 670 Halifax oak no. 680 Charleston oak no. 755 hacienda black no. 769 hacienda grey Nr. 785 Natural oak no. 794 sand oak</p> <p>Attention: Variable articles are excepted from the delivery time!</p>	495	600-2200	60	<b>WP</b>	<b>5 V F O</b>		
 <p><b>washbasin plate</b> <b>price per metre</b> please indicate colour version</p> <p>variable in width of 300 to 2.600 mm</p> <p>3 mm have to be added at both sides. left/right) Please refer to the information on cut-outs on page P21.1/P12.1.</p> <p>Please note the additional price for washbasin cutouts.</p> <p>Attention: Variable articles are excepted from the delivery time!</p>	495	300-2600	28	<b>APN</b>	<b>6 0 V 2 8</b>		

Please observe suitable accessories in the separate index.




# Program 021 - model list

Depth indication corresponds to the carcass depth		Depth in mm	Width in mm	Height in mm	Article number				Hinge			
<b>Washbasin plates</b>  <b>washbasin plate Qsolid</b> <b>price per metre</b> Surface polished  variable in width of 600 to 2.980 mm Delivery time: 7 weeks 3 mm have to be added at both sides, left/right) Please refer to the information on cut-outs on page P21.1/P12.1. please indicate colour version Please note the additional price for washbasin cutouts. Attention: Variable articles are excepted from the delivery time!		495	600-2980	12	WP	S	5	1	V	P	O	
<b>cut- out for washbasins of other manufactures</b> Orders can only be accepted with dimensioned drawings. Please refer to the information on cut-outs on page P21.1/P12.1. for washbasin tops in carcass colour for washbasin tops in front finishes: for Qsolid washbasin tops There is no cut-out available for washbasins from others/unknown manufacturers for solid washbasin-plate WPM 49V OA !					AUS	KD	2	8				
 <b>Towel holder console</b> for the wall attachment of free hanging washstand tops Resilience: from 1000 mm lenght on 2 consoles or base units are needed Price per item Chrome hgl. for Silestone washbasin tops, 495 mm high black matt for Silestone washbasin tops, 495 mm high		448	30	180	PZ	1	1	3	3	4	9	
		448	30	180	PZ	1	2	3	3	4	9	
 <b>additional Console for washbasin tops</b> for the wall attachment of free hanging washstand tops for self-supporting thermofoiled washbasin tops 60 mm Price per item		430	150	50	PZ	1	2	4	4	5	0	L/R




Please observe suitable accessories in the separate index.

# Program 021 - model list

Depth indication corresponds to the carcass depth	Depth in mm	Width in mm	Height in mm	Article number	Hinge
<p><b>washbasin plates „Qsolid“ for Washing machine housing</b></p>					
 <p><b>washbasin plate Qsolid for Washing machine housing</b></p> <p>incl. washbasin cut-out for: STONEPLUS fitting washbasin</p>					
<p>Ill. = right Delivery time: 7 weeks</p>					
<p>Please refer to the information on cut-outs on page P21.3.</p>					
<p>please indicate colour version</p>					
<p><b>1406 mm wide for Washing machine housing on the left-hand side</b> can be combined with washing machine housing and 700 mm washbasin base unit</p>	495-725	1406	12	<b>WPS 5 1 4 L P O</b>	
<p><b>1406 mm wide for Washing machine housing on the right-hand side</b> can be combined with washing machine housing and 700 mm washbasin base unit</p>	495-725	1406	12	<b>WPS 5 1 4 R P O</b>	
<p><b>1606 mm wide for Washing machine housing on the left-hand side</b> can be combined with washing machine housing and 900 mm washbasin base unit</p>	495-725	1606	12	<b>WPS 5 1 6 L P O</b>	
<p><b>1606 mm wide for Washing machine housing on the right-hand side</b> can be combined with washing machine housing and 900 mm washbasin base unit</p>	495-725	1606	12	<b>WPS 5 1 6 R P O</b>	
<p><b>1606 mm wide for Washing machine housing on the left-hand side</b> can be combined with washing machine housing, 200 mm shelf center and 700 mm washbasin base unit</p>	495-725	1606	12	<b>WPS 5 7 6 L P O</b>	
<p><b>1606 mm wide for Washing machine housing on the right-hand side</b> can be combined with washing machine housing, 200 mm shelf center and 700 mm washbasin base unit</p>	495-725	1606	12	<b>WPS 5 7 6 R P O</b>	
<p><b>1806 mm width for Washing machine housing on the left-hand side</b> can be combined with washing machine housing, 200 mm shelf center and 700 mm washbasin base unit</p>	495-725	1806	12	<b>WPS 5 1 8 L P O</b>	
<p><b>1806 mm width for Washing machine housing on the right-hand side</b> can be combined with washing machine housing, 200 mm shelf center and 700 mm washbasin base unit</p>	495-725	1806	12	<b>WPS 5 1 8 R P O</b>	
<p>Attention: Variable articles are excepted from the delivery time!</p>					





Please observe suitable accessories in the separate index.

# Program 021 - model list

Depth indication corresponds to the carcass depth		Depth in mm	Width in mm	Height in mm	Article number			Hinge	
<b>Washbasin base units</b>									
 <p><b>Washbasin base unit</b> 1 metal pull out unit with buffered closing central</p>	<b>600 mm wide</b>	470	600	240	<b>W U A 1 1 6 0 P 4</b>				
	<b>700 mm wide</b>	470	700	240	<b>W U A 1 1 7 0 P 4</b>				
	<b>800 mm wide</b>	470	800	240	<b>W U A 1 1 8 0 P 4</b>				
	<b>900 mm wide</b>	470	900	240	<b>W U A 1 1 9 0 P 4</b>				
	<b>1000 mm wide</b>	470	1000	240	<b>W U A 1 1 1 0 P 4</b>				
	<b>1200 mm wide</b>	470	1200	240	<b>W U A 1 1 1 2 P 4</b>				
	Additional accessories Design installationsset chrome: Additional price for offset the syphon cutout / without cutout					P Z	1 3 8 9	1 E	
	 <p><b>Washbasin base unit</b> 1 metal pull out unit with buffered closing central 1 drawer with buffered closing</p>	<b>600 mm wide</b>	470	600	480	<b>W U A 3 3 6 0 P 4</b>			
<b>700 mm wide</b>		470	700	480	<b>W U A 3 3 7 0 P 4</b>				
<b>800 mm wide</b>		470	800	480	<b>W U A 3 3 8 0 P 4</b>				
<b>900 mm wide</b>		470	900	480	<b>W U A 3 3 9 0 P 4</b>				
<b>1000 mm wide</b>		470	1000	480	<b>W U A 3 3 1 0 P 4</b>				
<b>1200 mm wide</b>		470	1200	480	<b>W U A 3 3 1 2 P 4</b>				
Additional accessories Space-saving drain stench trap DN 40 Space-saving drain stench trap DN 32 Additional price for offset the syphon cutout / without cutout					P Z	1 3 6 7			
						P Z	1 4 2 3		
 <p><b>Washbasin base unit</b> 1 metal pull out unit with buffered closing central 1 drawer with buffered closing</p>	<b>600 mm wide</b>	470	600	560	<b>W U A 4 2 6 0 P 4</b>				
	<b>700 mm wide</b>	470	700	560	<b>W U A 4 2 7 0 P 4</b>				
	<b>800 mm wide</b>	470	800	560	<b>W U A 4 2 8 0 P 4</b>				
	<b>900 mm wide</b>	470	900	560	<b>W U A 4 2 9 0 P 4</b>				
	<b>1000 mm wide</b>	470	1000	560	<b>W U A 4 2 1 0 P 4</b>				
	<b>1200 mm wide</b>	470	1200	560	<b>W U A 4 2 1 2 P 4</b>				
	Additional accessories Space-saving drain stench trap DN 40 Space-saving drain stench trap DN 32 Additional price for offset the syphon cutout / without cutout					P Z	1 3 6 7		
						P Z	1 4 2 3		





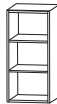
\*Price per Washbasin base unit. Please attach a sketch to your order. Check your order confirmation of correctness.

# Program 021 - model list

Depth indication corresponds to the carcass depth		Depth in mm	Width in mm	Height in mm	Article number		Hinge
<b>Washbasin base units</b>							
	<b>Washbasin base unit</b> 2 doors depth adjustable  <b>600 mm wide</b> <b>800 mm wide</b>	200-470 200-470	600 800	480 480	<b>W U A 3 1 6 0 1 V</b> <b>W U A 3 1 8 0 1 V</b>		
	<b>solitaire washbasin base unit</b> 1 fixed carcass panel 129 mm high variable in width  can be combined with 28 mm top covers in carcass colour or 12 mm Qsolid top covers  Additional accessories Design installationsset chrome:	485	600-1000	480	<b>W U A 3 0 X X 4 8</b>  <b>P Z 1 3 8 9 1 E</b>		
<b>Base units for washbasin plates</b>							
	<b>washbasin base unit</b> 1 metal pull-out with buffered closing  <b>300 mm wide</b> <b>400 mm wide</b> <b>500 mm wide</b> <b>600 mm wide</b> <b>700 mm wide</b> <b>800 mm wide</b> <b>900 mm wide</b> <b>1000 mm wide</b> <b>1200 mm wide</b>  plate-base-unit, also individual combinable with the washbasin-plate	470 470 470 470 470 470 470 470 470	300 400 500 600 700 800 900 1000 1200	240 240 240 240 240 240 240 240 240	<b>U T A 1 1 3 0 P 4</b> <b>U T A 1 1 4 0 P 4</b> <b>U T A 1 1 5 0 P 4</b> <b>U T A 1 1 6 0 P 4</b> <b>U T A 1 1 7 0 P 4</b> <b>U T A 1 1 8 0 P 4</b> <b>U T A 1 1 9 0 P 4</b> <b>U T A 1 1 1 0 P 4</b> <b>U T A 1 1 1 2 P 4</b>		
	<b>Shelf</b> variable dimensions  Shelf cannot be installed as single, supporting element under the washbasin-plate.	301-470	150-600	240	<b>R V 2 0 V T 1</b>		

\*Price per Washbasin base unit. Please attach a sketch to your order. Check your order confirmation of correctness.

# Program 021 - model list

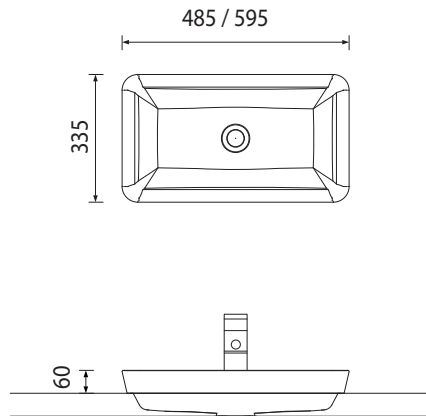
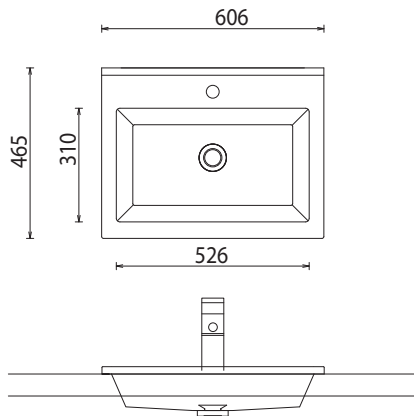
Depth indication corresponds to the carcass depth		Depth in mm	Width in mm	Height in mm	Article number			Hinge
<b>Base units for washbasin plates</b>								
	<b>washbasin base unit</b> 2 metal pull-outs with buffered closing  <b>300 mm width</b> <b>400 mm wide</b> <b>500 mm wide</b> <b>600 mm wide</b> <b>700 mm wide</b> <b>800 mm wide</b> <b>900 mm wide</b> <b>1000 mm wide</b> <b>1200 mm wide</b>  plate-base-unit, also individual combinable with the washbasin-plate	470	300	480	U T A 3 6 3 0 P 4			
		470	400	480	U T A 3 6 4 0 P 4			
		470	500	480	U T A 3 6 5 0 P 4			
		470	600	480	U T A 3 6 6 0 P 4			
		470	700	480	U T A 3 6 7 0 P 4			
		470	800	480	U T A 3 6 8 0 P 4			
		470	900	480	U T A 3 6 9 0 P 4			
		470	1000	480	U T A 3 6 1 0 P 4			
		470	1200	480	U T A 3 6 1 2 P 4			
	<b>Shelf</b> variable dimensions 1 fixed shelf	301-470	150-600	480	R V 3 1 V T 1			
	<b>washbasin base unit</b> 1 door depth adjustable  <b>300 mm width</b> <b>400 mm wide</b>	200-470	300	480	U T A 3 1 3 0 1 V			
		200-470	400	480	U T A 3 1 4 0 1 V			
	<b>washbasin base unit</b> 2 metal pull-outs with buffered closing  <b>300 mm width</b> <b>400 mm wide</b> <b>500 mm wide</b> <b>600 mm wide</b> <b>700 mm wide</b> <b>800 mm wide</b> <b>900 mm wide</b> <b>1000 mm wide</b> <b>1200 mm wide</b>  plate-base-unit, also individual combinable with the washbasin-plate	470	300	560	U T A 4 2 3 0 P 4			
		470	400	560	U T A 4 2 4 0 P 4			
		470	500	560	U T A 4 2 5 0 P 4			
		470	600	560	U T A 4 2 6 0 P 4			
		470	700	560	U T A 4 2 7 0 P 4			
		470	800	560	U T A 4 2 8 0 P 4			
		470	900	560	U T A 4 2 9 0 P 4			
		470	1000	560	U T A 4 2 1 0 P 4			
		470	1200	560	U T A 4 2 1 2 P 4			
	<b>Shelf</b> variable dimensions 2 fixed wooden shelves	301-470	150-600	560	R V 4 2 V T 1			

Please observe suitable accessories in the separate index.

# Program 021 - dimensional drawings

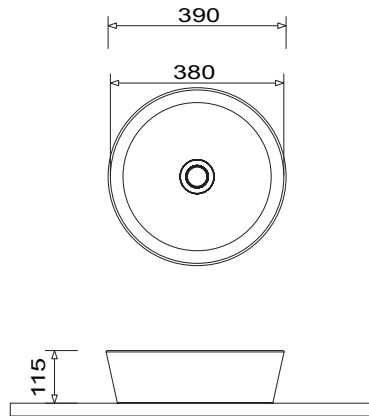
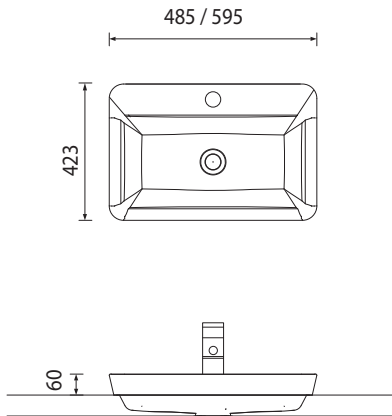
washbasin WTA 336E 61

cast mineral - topcover washbasin  
WTA S101 / WTA S102  
embedded washbasin



cast mineral - topcover washbasin  
WTA S111 / WTA S112  
embedded washbasin

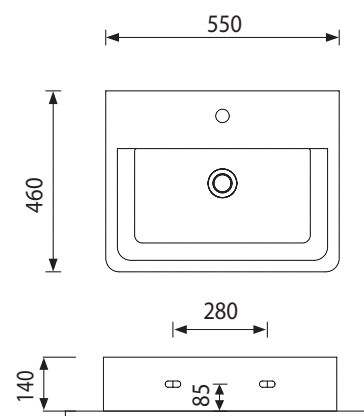
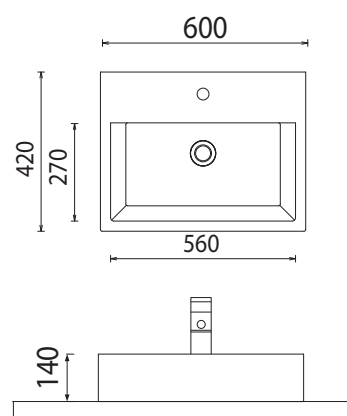
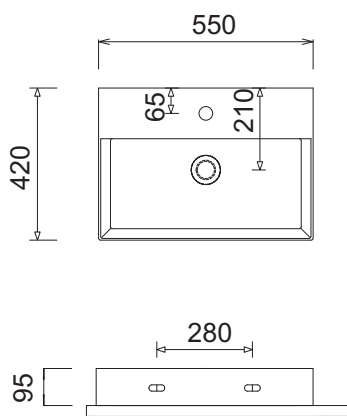
Nizza WTA 3900 1  
drafted washbasin



Málaga WTM 4255  
drafted washbasin

MEMENTO 2.0 WTA 0906  
drafted washbasin

CUBE WTA 0705  
drafted washbasin



For washing stands with fixing screws, the dimensions for boring must be drawn in on-site after the washing stand has been laid on the floor unit.

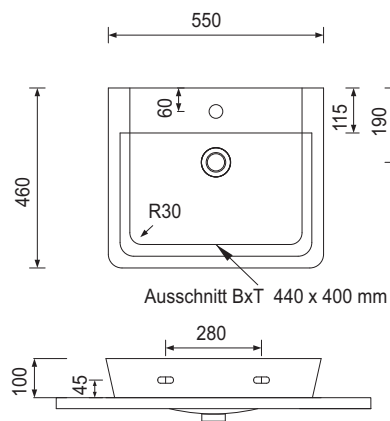
The fastening screws must be screwed.

Modifications:

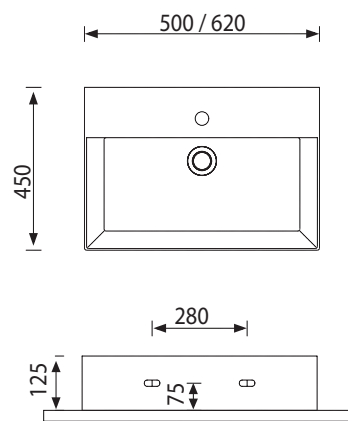
Technical modifications (+/- 5mm) and flatness modifications (DIN 18202) are subject of the usual material-specific modifications for construction materials, based on DIN 18202.

# Program 021 - dimensional drawings

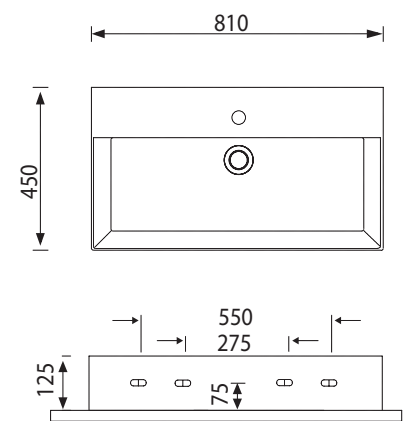
CONNECT AIR WTA 0805  
drafted washbasin



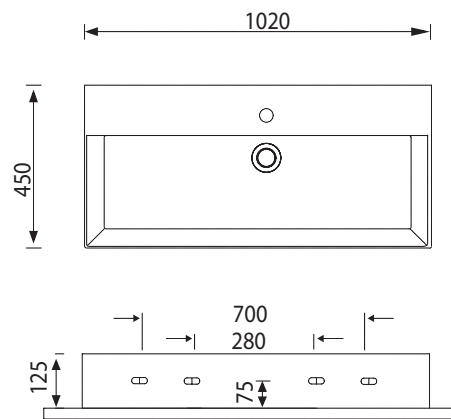
SQUARED WTM 4805 / WTM 4806  
drafted washbasin



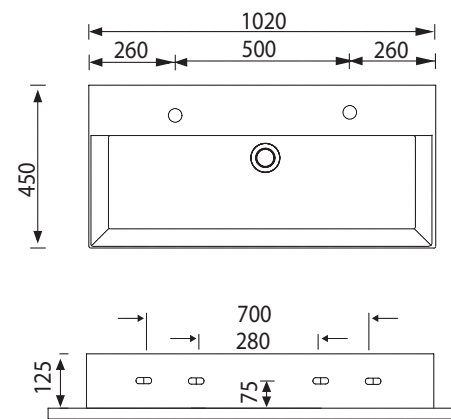
SQUARED WTM 4808  
drafted washbasin



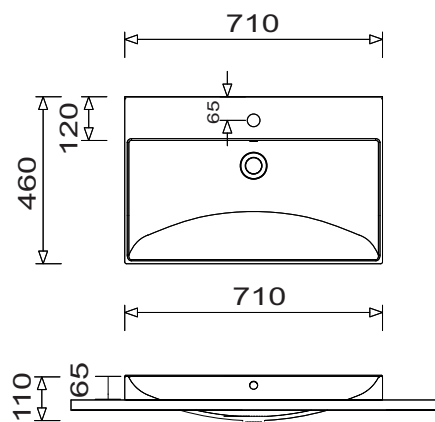
SQUARED WTM 4810  
drafted washbasin



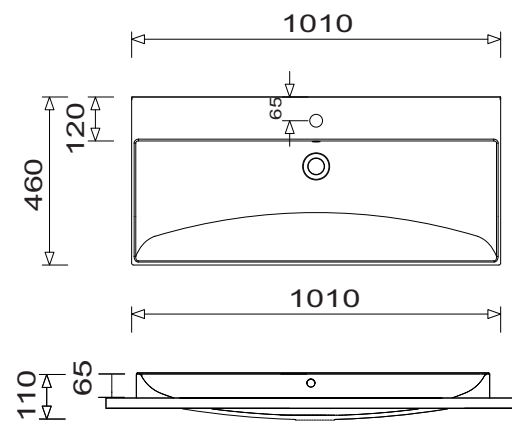
SQUARED WTM 4821  
drafted washbasin



K-Line WTM 5107 1  
embedded washbasin



K-Line WTM 5110 1  
embedded washbasin



For washing stands with fixing screws, the dimensions for boring must be drawn in on-site after the washing stand has been laid on the floor unit.

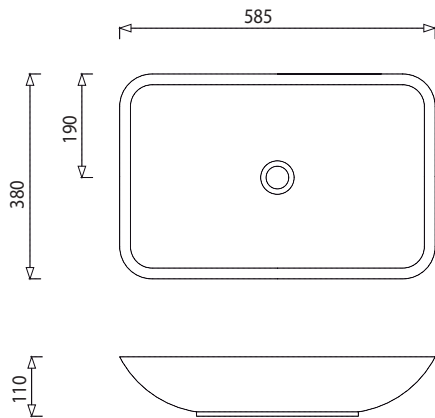
The fastening screws must be screwed.

Modifications:

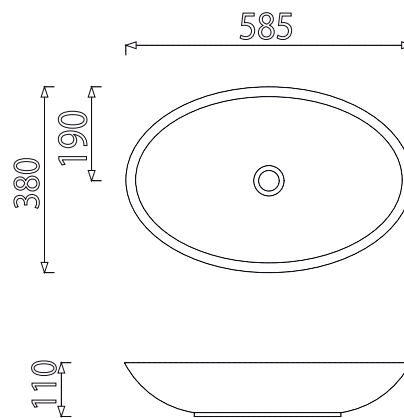
Technical modifications (+/- 5mm) and flatness modifications (DIN 18202) are subject of the usual material-specific modifications for construction materials, based on DIN 18202.

# Program 021 - dimensional drawings

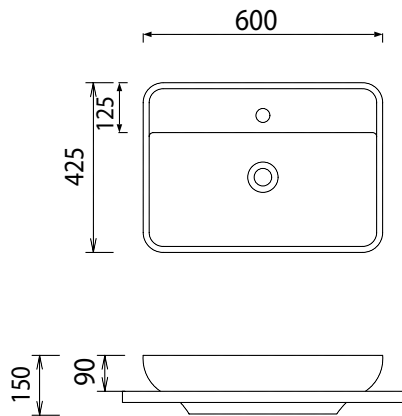
LOOP WTA 0606  
drafted washbasin



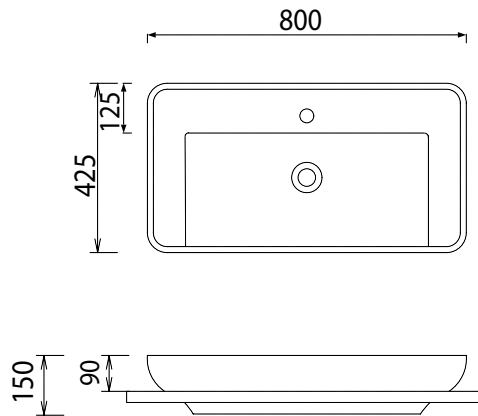
LOOP WTA 0506  
drafted washbasin



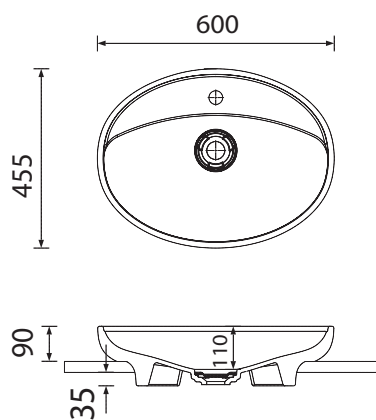
MELBOURNE WTA 1104  
embedded washbasin



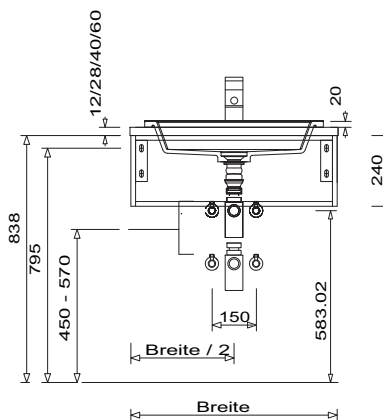
MELBOURNE WTA 1105  
embedded washbasin



MELBOURNE WTA 1107  
embedded washbasin



washbasin WTA 336E 61 +  
240 mm high base unit



For washing stands with fixing screws, the dimensions for boring must be drawn in on-site after the washing stand has been laid on the floor unit.

The fastening screws must be screwed.

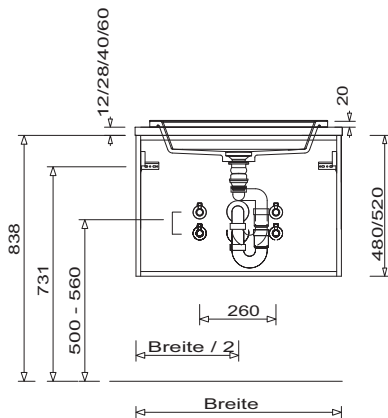
Modifications:

Technical modifications (+/- 5mm) and flatness modifications (DIN 18202) are subject of the usual material-specific modifications for construction materials, based on DIN 18202.

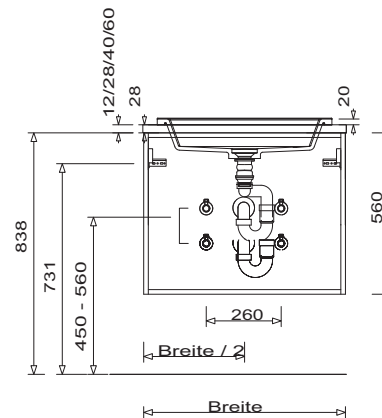


# Program 021 - dimensional drawings

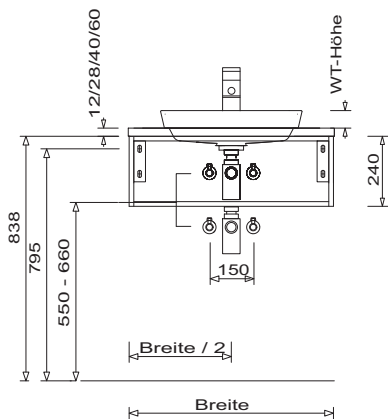
washbasin WTA 336E 61 +  
480 mm high base unit



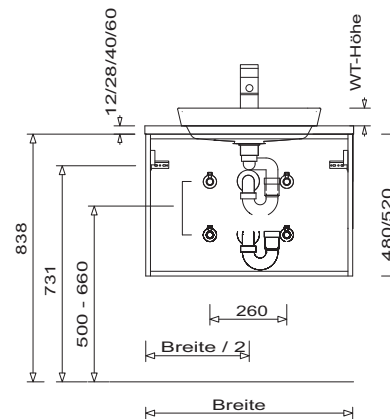
washbasin WTA 336E 61 +  
560 mm high base unit



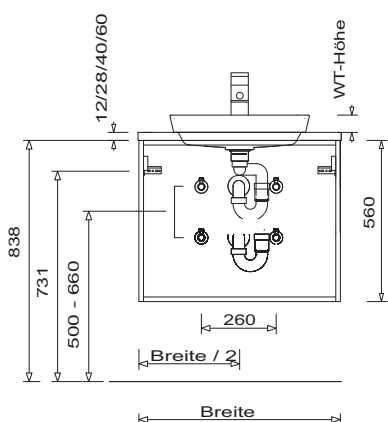
embedded washbasin +  
240 mm high base unit



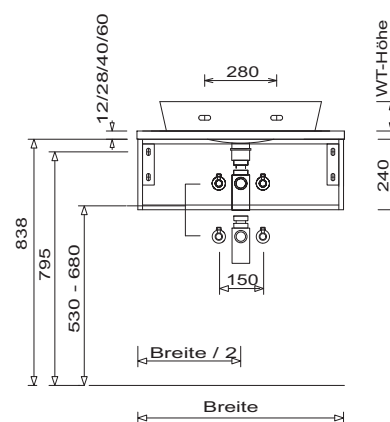
embedded washbasin +  
480 mm high base unit



embedded washbasin +  
560 mm high base unit



drafted washbasin +  
240 mm high base unit



For washing stands with fixing screws, the dimensions for boring must be drawn in on-site after the washing stand has been laid on the floor unit.

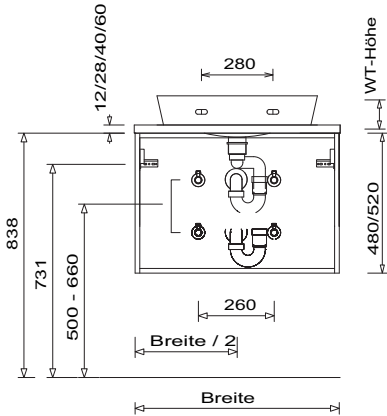
The fastening screws must be screwed.

Modifications:

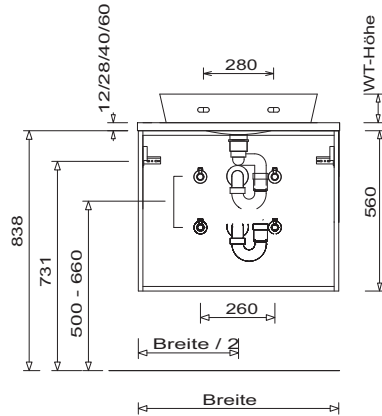
Technical modifications (+/- 5mm) and flatness modifications (DIN 18202) are subject of the usual material-specific modifications for construction materials, based on DIN 18202.

# Program 021 - dimensional drawings

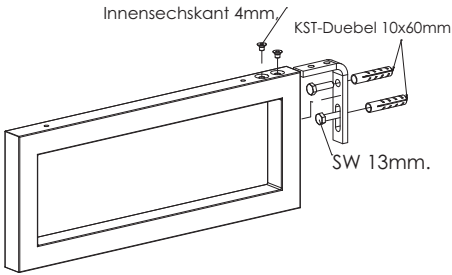
drafted washbasin +  
480 mm high base unit



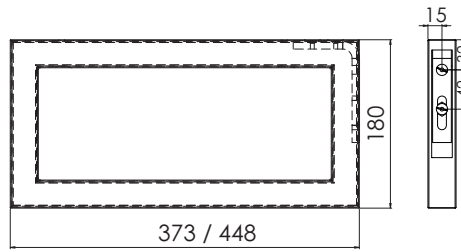
drafted washbasin +  
560 mm high base unit



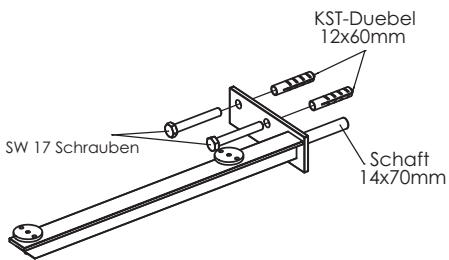
Towel holder console



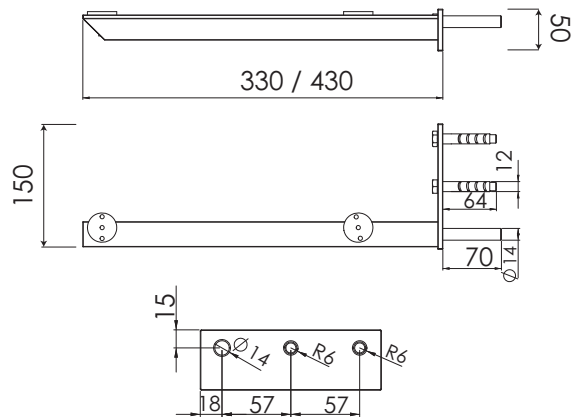
Towel holder console



Console for washbasin tops



Console for washbasin tops



For washing stands with fixing screws, the dimensions for boring must be drawn in on-site after the washing stand has been laid on the floor unit.

The fastening screws must be screwed.

Modifications:

Technical modifications (+/- 5mm) and flatness modifications (DIN 18202) are subject of the usual material-specific modifications for construction materials, based on DIN 18202.