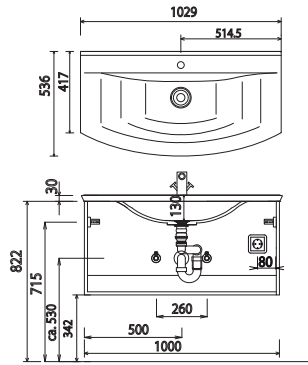
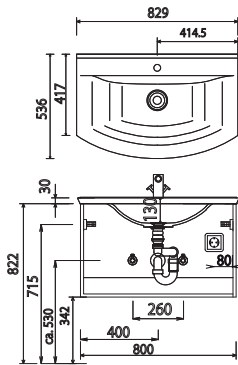


b - bright - dimensional drawings

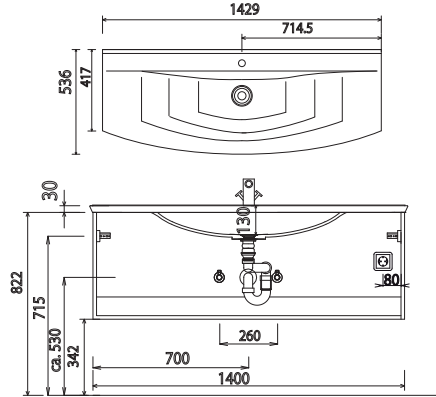
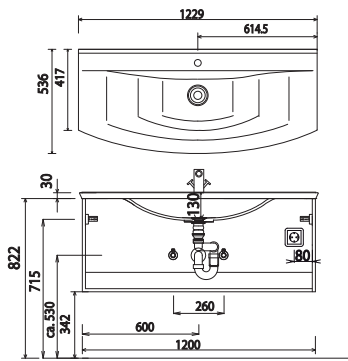
SET BR80 61/B6

SET BR10 61/B6



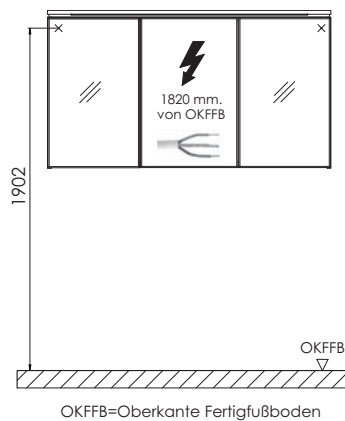
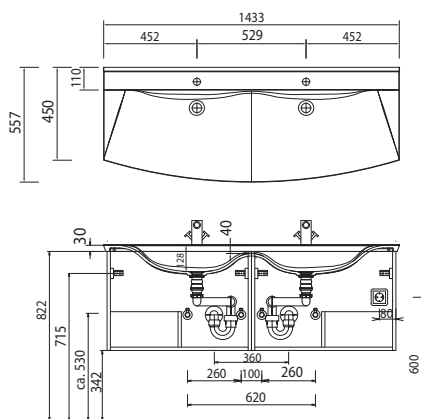
SET BR12 61/B6

SET BR14 61/B6



SET BR4D 61/B6

electrical connections for mirror cabinets



Washing stands without anchoring brackets have to be fixed on the wall and on the furniture-side with silicon!

STONEPLUS:

The water temperature must not exceed 55° C / 131° F. Hair tinting lotions have to be removed in a few seconds, so that staining can be avoided.

Modifications:

Technical modifications (+/- 5mm) and flatness modifications (DIN 18202) are subject of the usual material-specific modifications for construction materials, based on DIN 18202.