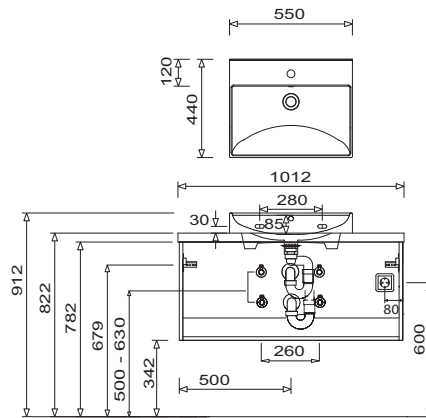
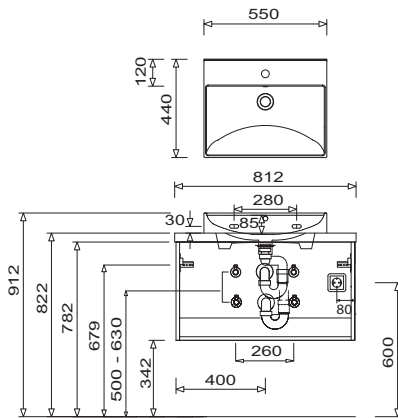


b - essence - dimensional drawings

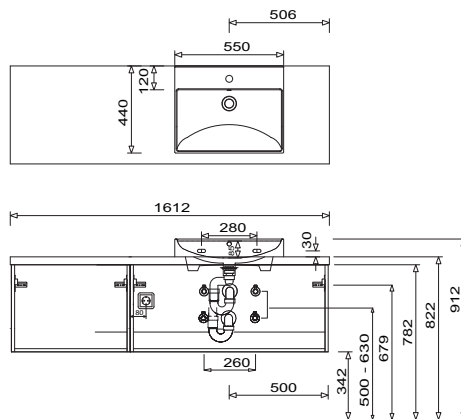
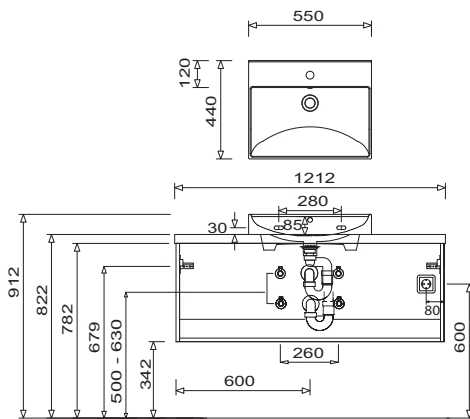
SET BE80 + WTM 5205

SET BE10 + WTM 5205



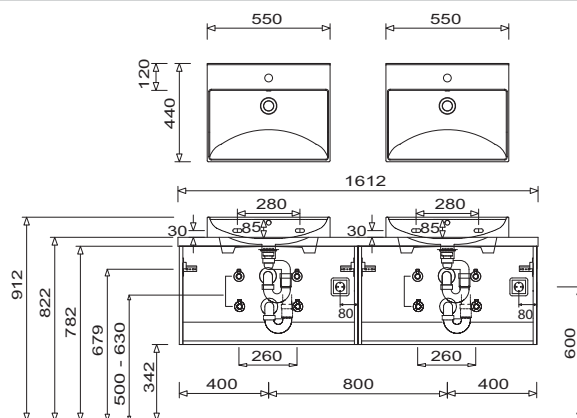
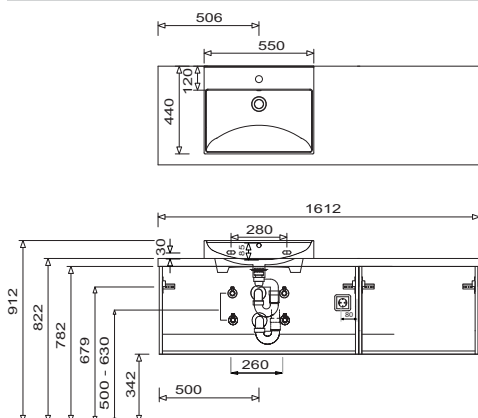
SET BE12 + WTM 5205

SET BE16 1L + WTM 5205



SET BE16 1R + WTM 5205

SET BE16 + 2 x WTM 5205



For washing stands with fixing screws, the dimensions for boring must be drawn in on-site after the washing stand has been laid on the floor unit.

The fastening screws must be screwed.

Modifications:

Technical modifications (+/- 5mm) and flatness modifications (DIN 18202) are subject of the usual material-specific modifications for construction materials, based on DIN 18202.