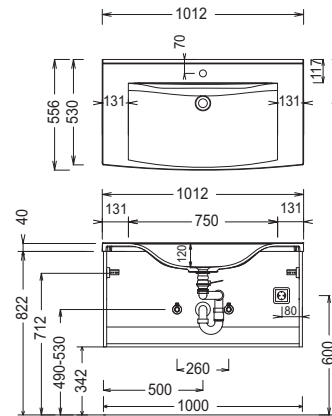
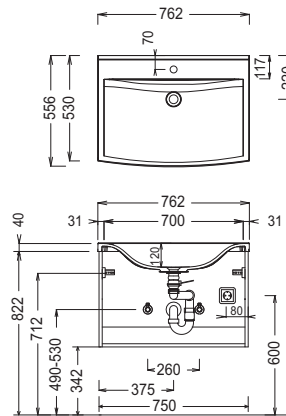


## b . maxx - dimensional drawings

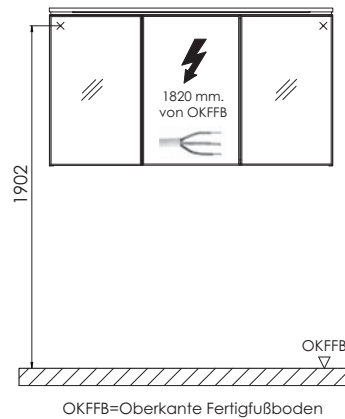
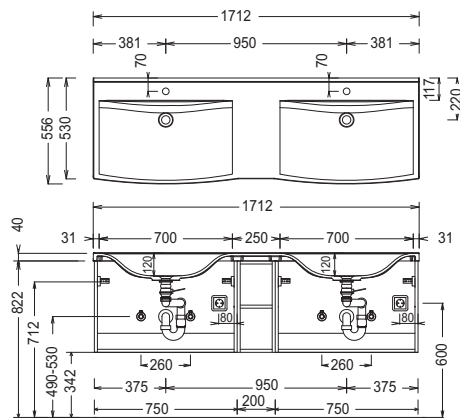
WMS / SWM 7512

WMS / SWM 1012



WMS / SWM 1712

electrical connections for mirror cabinets



### Evermite:

The water temperature must not exceed 55° C / 131° F. Hair tinting lotions have to be removed in a few seconds, so that staining can be avoided.

### Modifications:

Technical modifications (+/- 5mm) and flatness modifications (DIN 18202) are subject of the usual material-specific modifications for construction materials, based on DIN 18202.