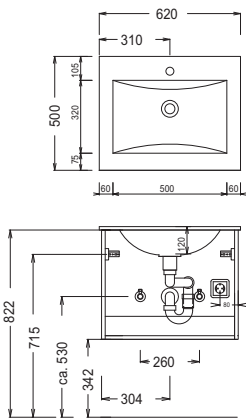
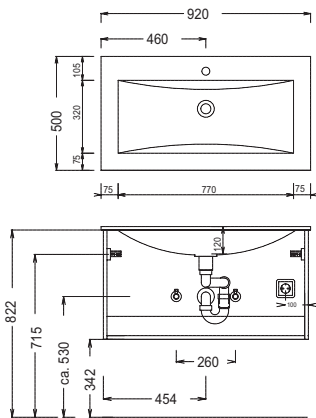


# Program 056 - dimensional drawings

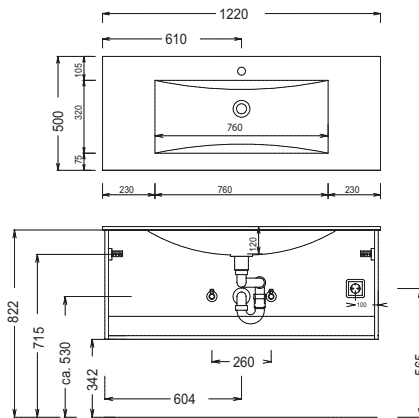
WMS / SWG 5060



WMS / SWG 5090

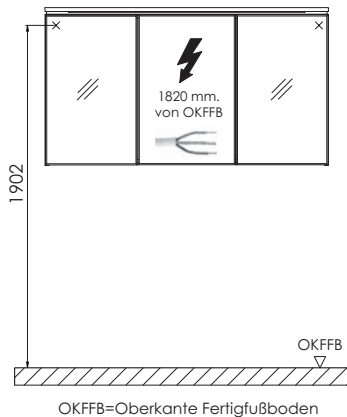
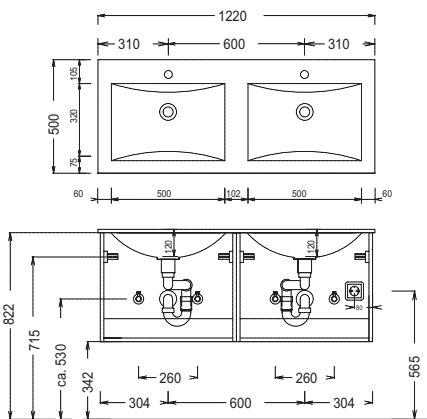


WMS / SWG 5120



WMS / SWG 7120

electrical connections for mirror cabinets



## STONEPLUS:

The water temperature must not exceed 55° C / 131° F. Hair tinting lotions have to be removed in a few seconds, so that staining can be avoided.

## Modifications:

Technical modifications (+/- 5mm) and flatness modifications (DIN 18202) are subject of the usual material-specific modifications for construction materials, based on DIN 18202.