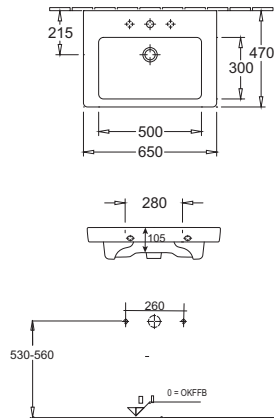
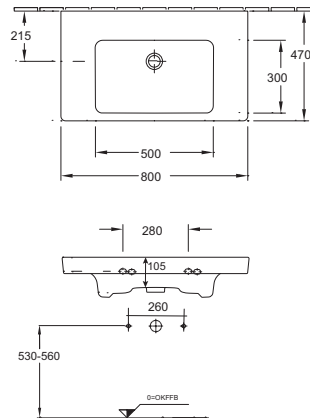


Program 021 - dimensional drawings

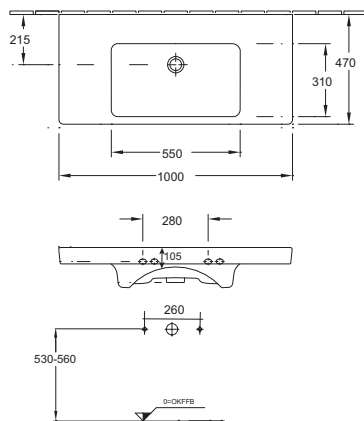
Subway 2.0 650
Villeroy&Boch



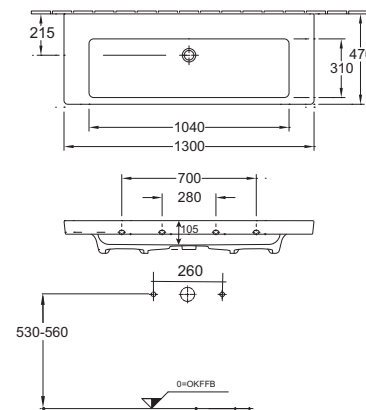
Subway 2.0 800
Villeroy&Boch



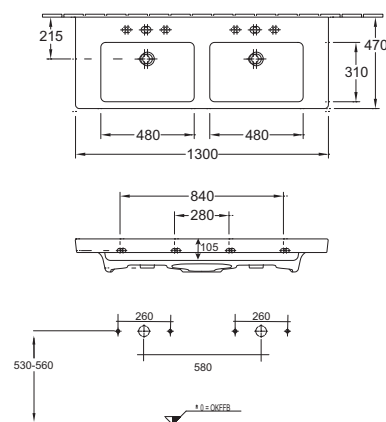
Subway 2.0 1000
Villeroy&Boch



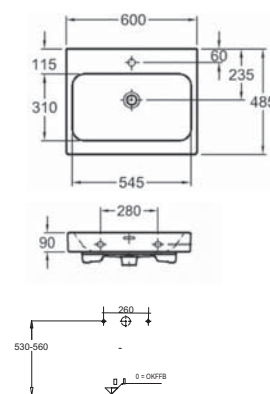
Subway 2.0 1300 Single washbasin
Villeroy&Boch



Subway 2.0 1300 Double washbasin
Villeroy&Boch



iCon 600
Geberit



For washing stands with fixing screws, the dimensions for boring must be drawn in on-site after the washing stand has been laid on the floor unit.

The fastening screws must be screwed.

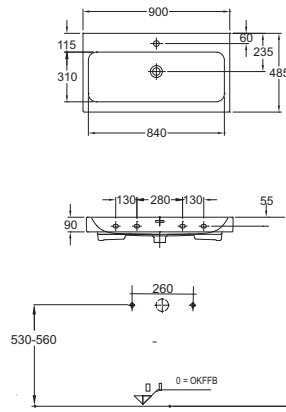
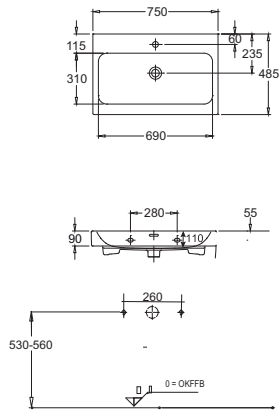
Modifications:

Technical modifications (+/- 5mm) and flatness modifications (DIN 18202) are subject of the usual material-specific modifications for construction materials, based on DIN 18202.

Program 021 - dimensional drawings

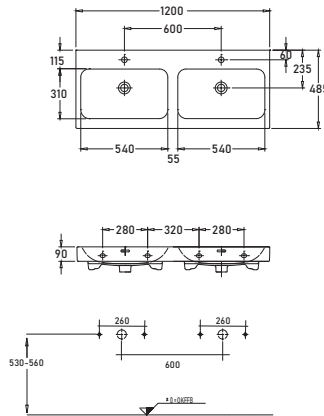
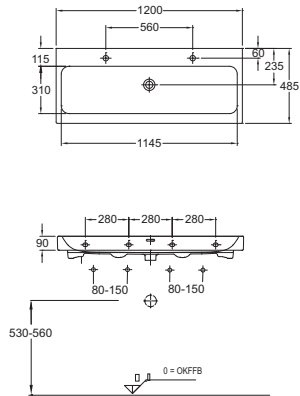
ICON 750
Geberit

iCon 900
Geberit



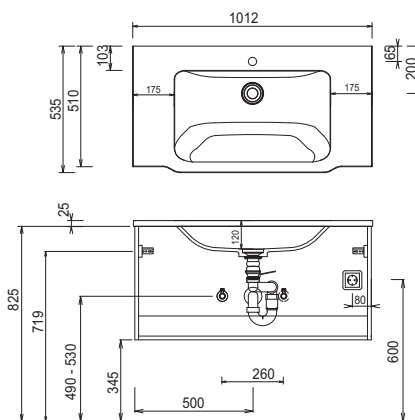
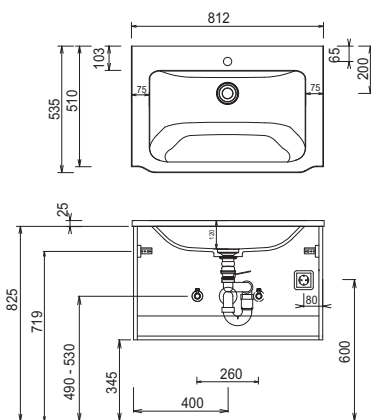
ICON 1200 2 tap holes
Geberit

ICON 1200 Double washbasin
Geberit



WMS 3508 61 + WUA 3380 08

WMS 3510 61 + WUA 3310 08



For washing stands with fixing screws, the dimensions for boring must be drawn in on-site after the washing stand has been laid on the floor unit.

The fastening screws must be screwed.

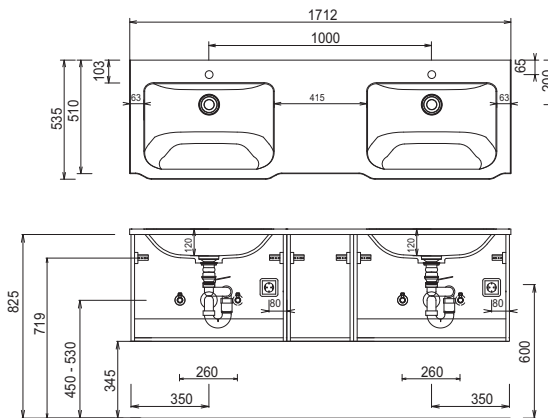
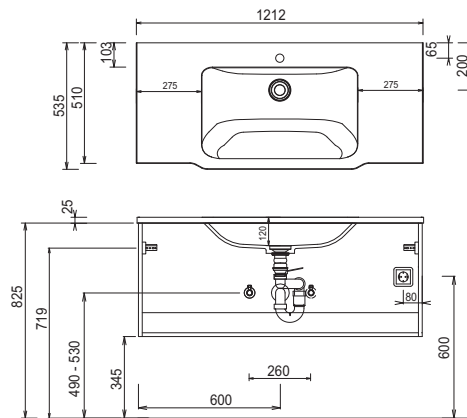
Modifications:

Technical modifications (+/- 5mm) and flatness modifications (DIN 18202) are subject of the usual material-specific modifications for construction materials, based on DIN 18202.

Program 021 - dimensional drawings

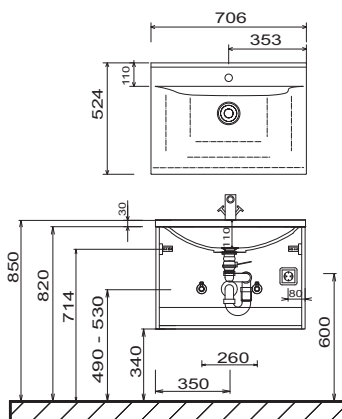
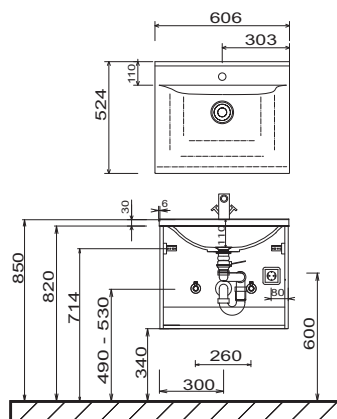
WMS 3512 61 + WUA 3312 08

WMS 352D 61 + 2x WUA 3370 08 +
RV 31V T1



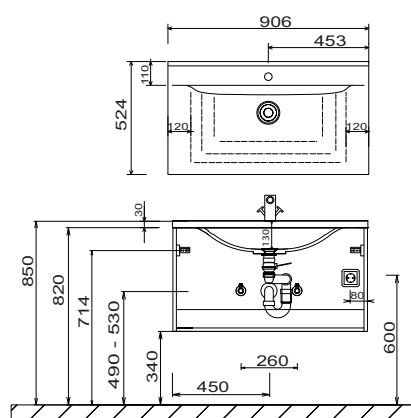
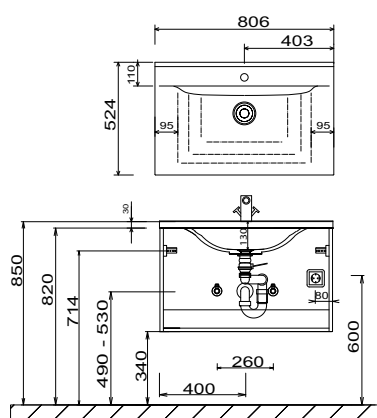
WMS 9506 21 & SWM 9506 B4

WMS 9507 21 & SWM 9507 B4



WMS 9508 21 & SWM 9508 B4

WMS 9509 21 & SWM 9509 B4



For washing stands with fixing screws, the dimensions for boring must be drawn in on-site after the washing stand has been laid on the floor unit.

The fastening screws must be screwed.

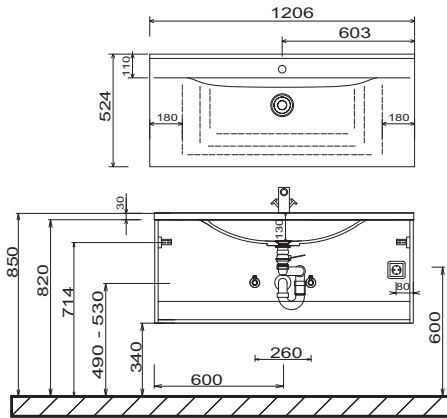
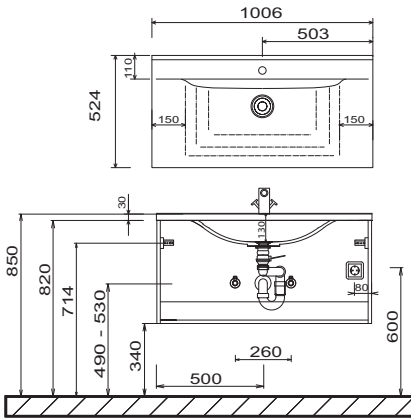
Modifications:

Technical modifications (+/- 5mm) and flatness modifications (DIN 18202) are subject of the usual material-specific modifications for construction materials, based on DIN 18202.

Program 021 - dimensional drawings

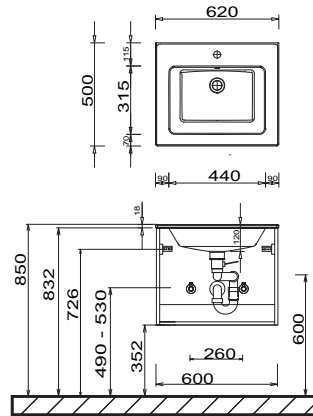
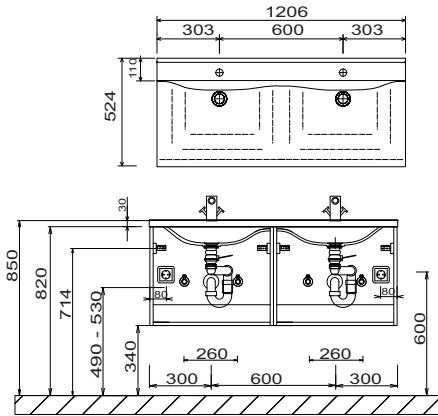
WMS 9510 21 & SWM 9510 B4

WMS 9512 21 & SWM 9512 B4



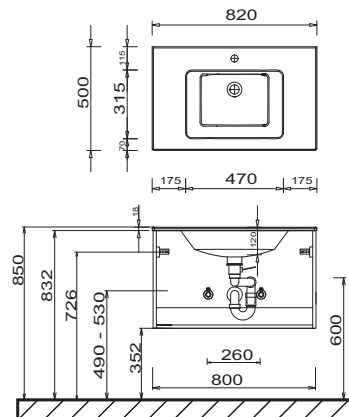
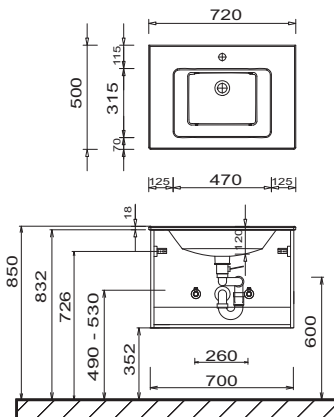
WMS 952D 21 & SWM 952D B4

WTM 4406 1



WTM 4407 1

WTM 4408 1



For washing stands with fixing screws, the dimensions for boring must be drawn in on-site after the washing stand has been laid on the floor unit.

The fastening screws must be screwed.

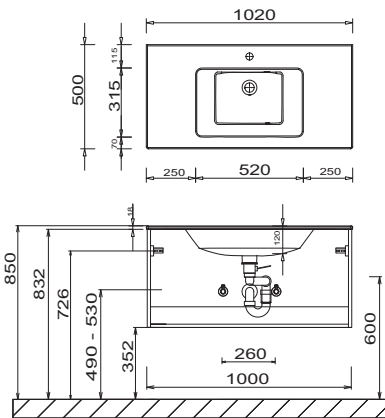
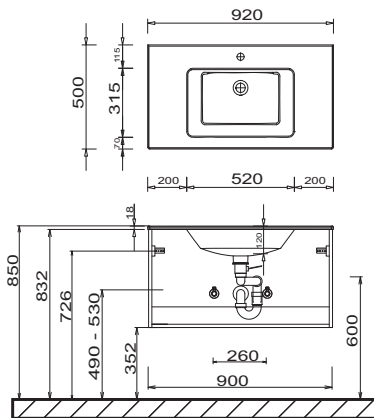
Modifications:

Technical modifications (+/- 5mm) and flatness modifications (DIN 18202) are subject of the usual material-specific modifications for construction materials, based on DIN 18202.

Program 021 - dimensional drawings

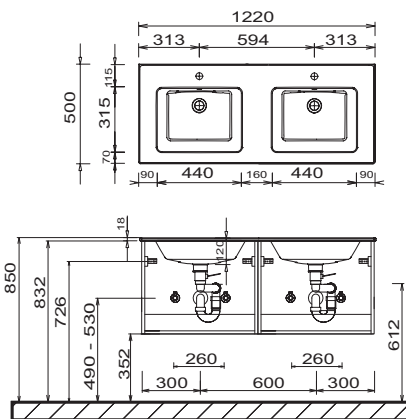
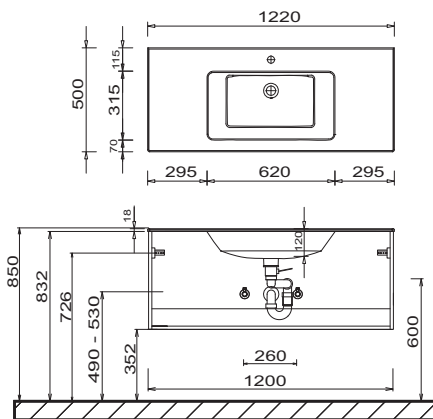
WTM 4409 1

WTM 4410 1



WTM 4412 1

WTM 442D 1



For washing stands with fixing screws, the dimensions for boring must be drawn in on-site after the washing stand has been laid on the floor unit.

The fastening screws must be screwed.

Modifications:

Technical modifications (+/- 5mm) and flatness modifications (DIN 18202) are subject of the usual material-specific modifications for construction materials, based on DIN 18202.