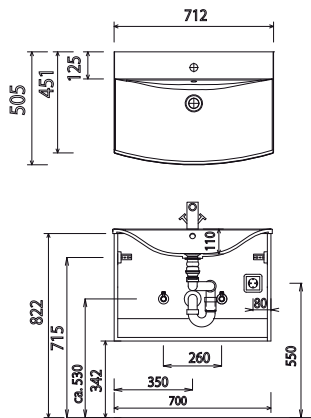
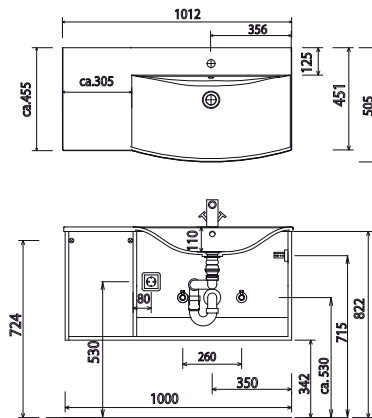


# Program 050 - dimensional drawings

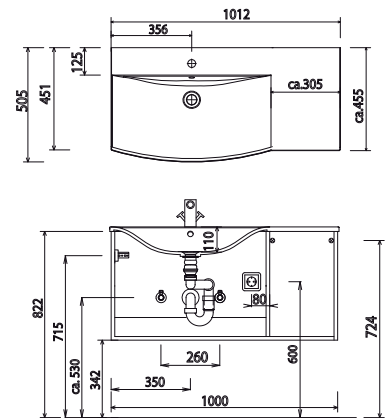
SET LN70



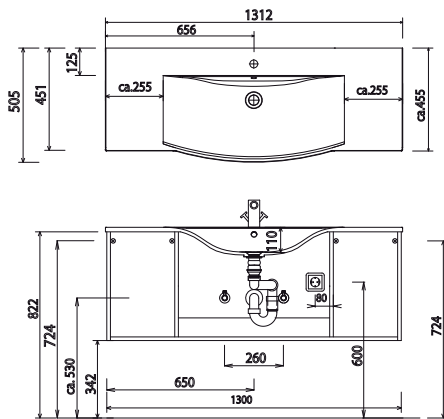
SET LN10 L



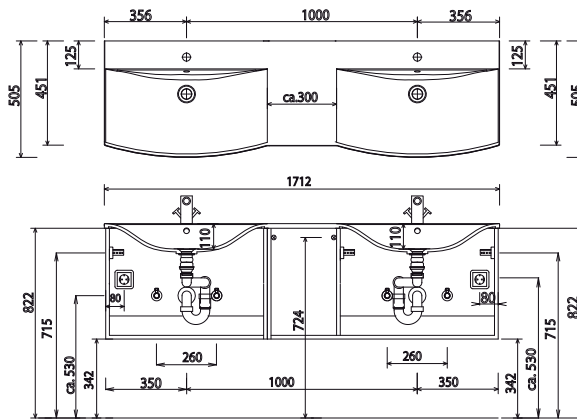
SET LN10 R



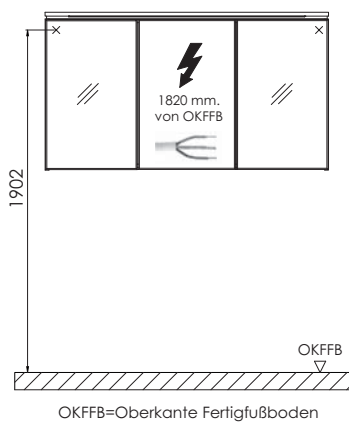
SET LN13



SET LN17



## electrical connections for mirror cabinets



### Modifications:

Technical modifications (+/- 5mm) and flatness modifications (DIN 18202) are subject of the usual material-specific modifications for construction materials, based on DIN 18202.