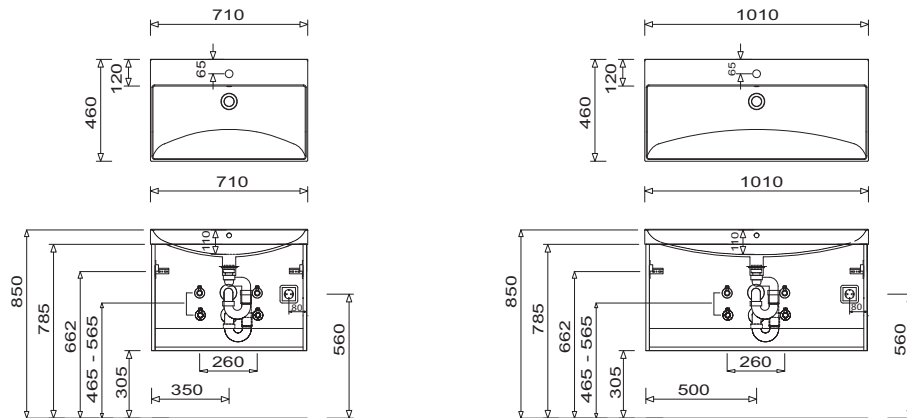


# Program 068 - dimensional drawings

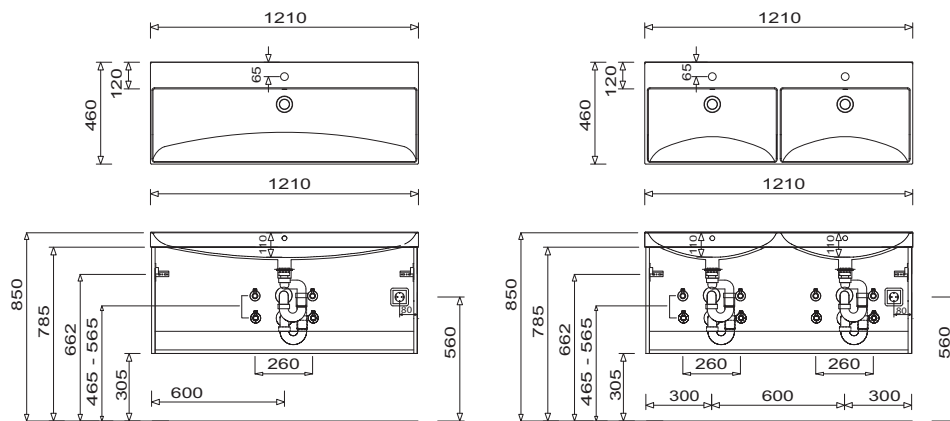
WTM 5107 1

WTM 5110 1

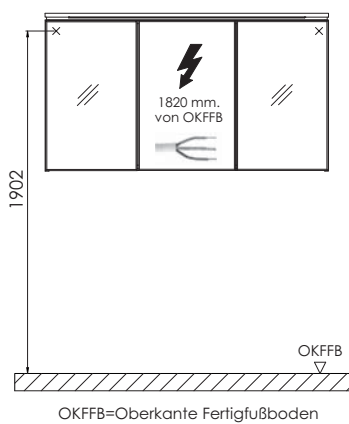


WTM 5112 1

WTM 512D 1



## electrical connections for mirror cabinets



**Washing stands without anchoring brackets have to be fixed on the wall and on the furniture-side with silicon!**

Modifications:

Technical modifications (+/- 5mm) and flatness modifications (DIN 18202) are subject of the usual material-specific modifications for construction materials, based on DIN 18202.