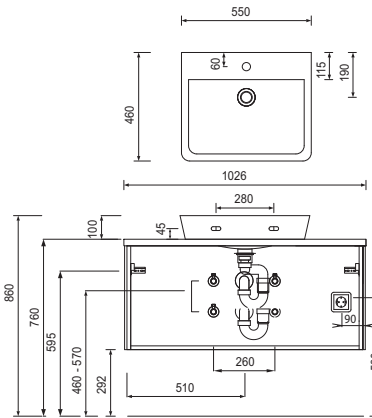
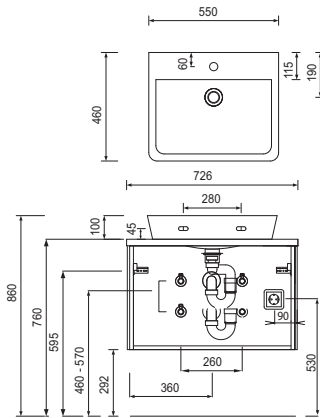


# Program 063 - dimensional drawings

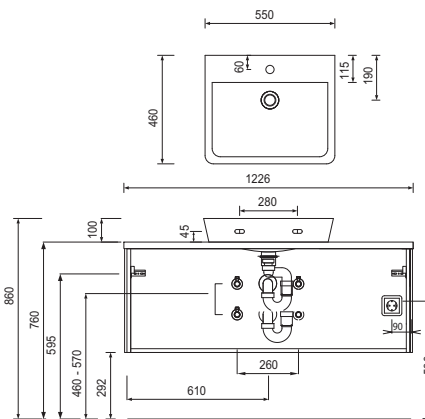
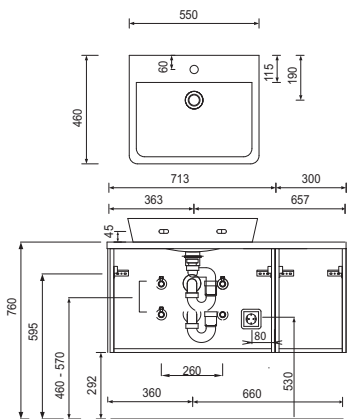
WTA 0805 + SET 387S

WTA 0805 + SET 381S



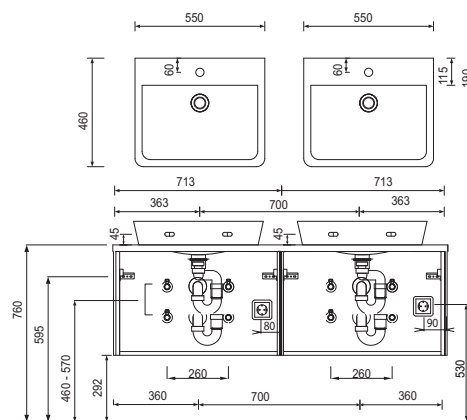
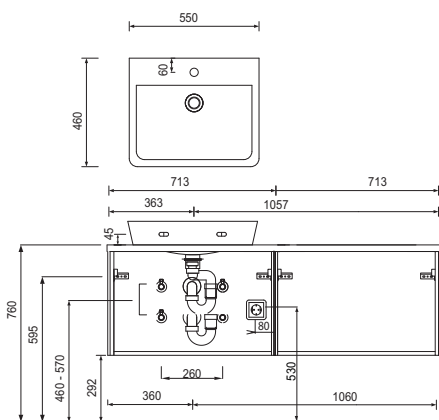
WTA 0805 + SET 3810 R

WTA 0805 + SET 382S



WTA 0805 + SET 384E

WTA 0805 + SET 3814



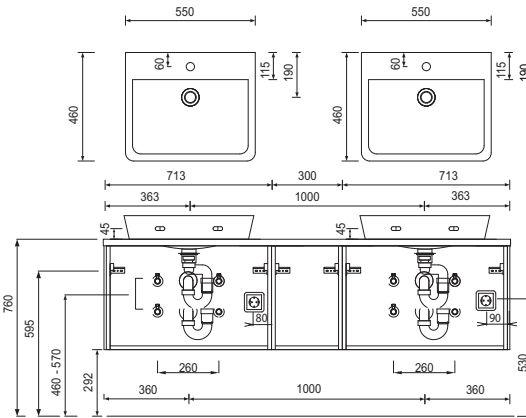
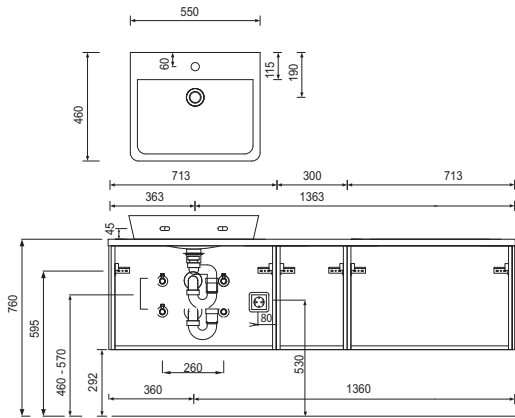
Modifications:

Technical modifications (+/- 5mm) and flatness modifications (DIN 18202) are subject of the usual material-specific modifications for construction materials, based on DIN 18202.

# Program 063 - dimensional drawings

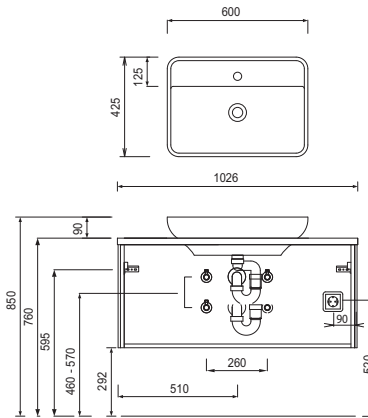
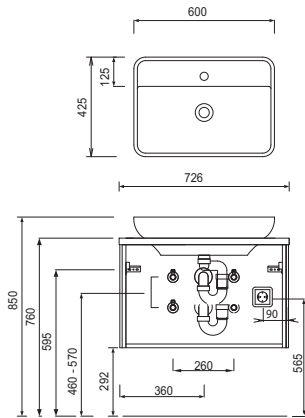
WTA 0805 + SET 387E

WTA 0805 + SET 3817



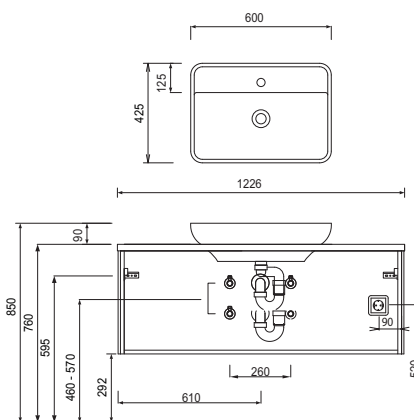
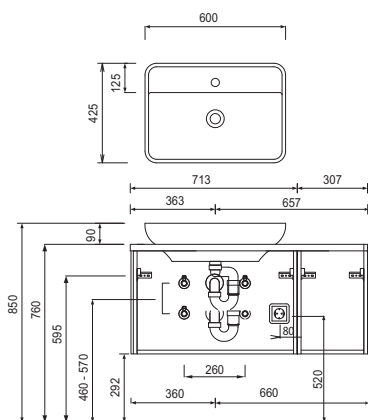
WTA 1104 + SET 387S

WTA 1104 + SET 381S



WTA 1104 + SET 3810 R

WTA 1104 + SET 382S



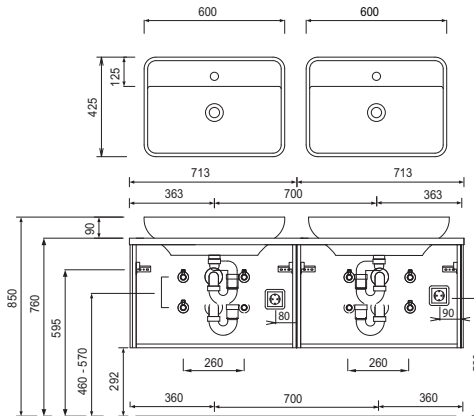
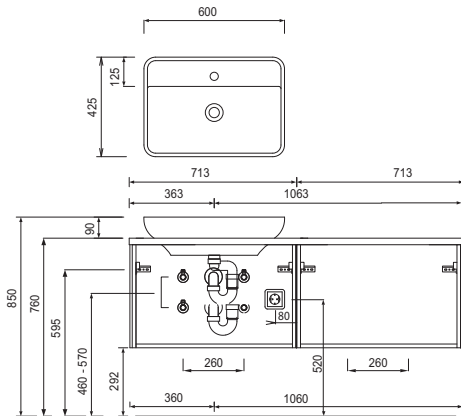
Modifications:

Technical modifications (+/- 5mm) and flatness modifications (DIN 18202) are subject of the usual material-specific modifications for construction materials, based on DIN 18202.

# Program 063 - dimensional drawings

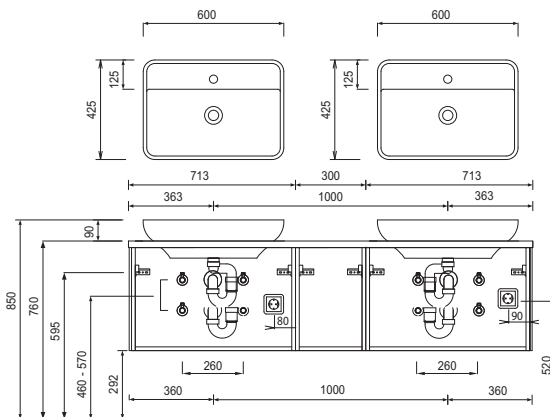
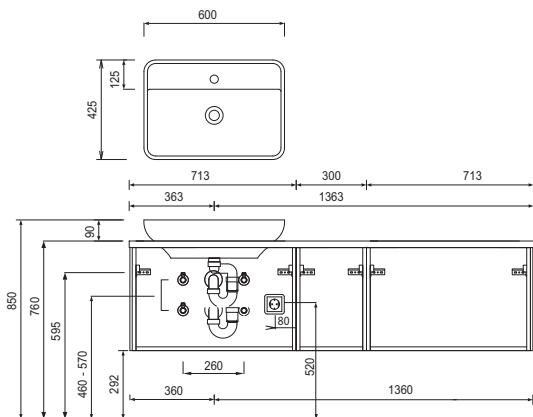
WTA 1104 + SET 384E

WTA 1104 + SET 3810 R



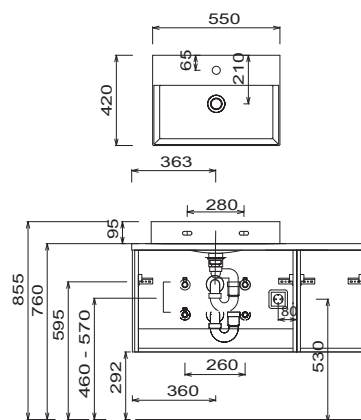
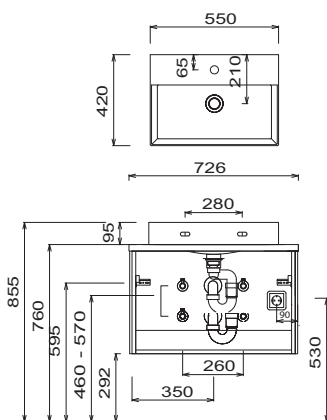
WTA 1104 + SET 387E

WTA 1104 + SET 3817



WTA 4255 + SET 387S

WTA 4255 + SET 3810 R



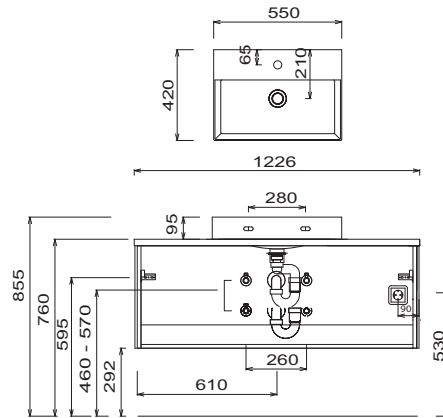
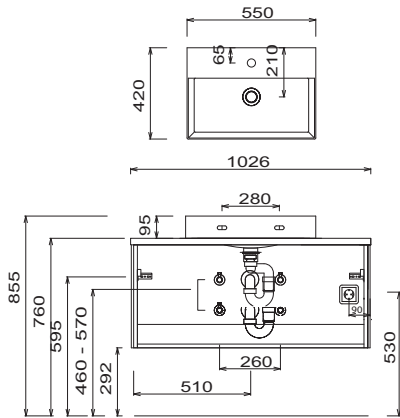
## Modifications:

Technical modifications (+/- 5mm) and flatness modifications (DIN 18202) are subject of the usual material-specific modifications for construction materials, based on DIN 18202.

# Program 063 - dimensional drawings

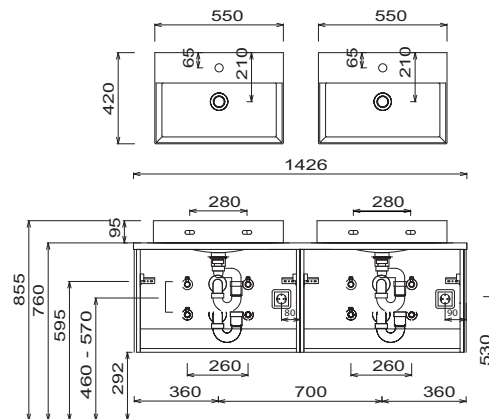
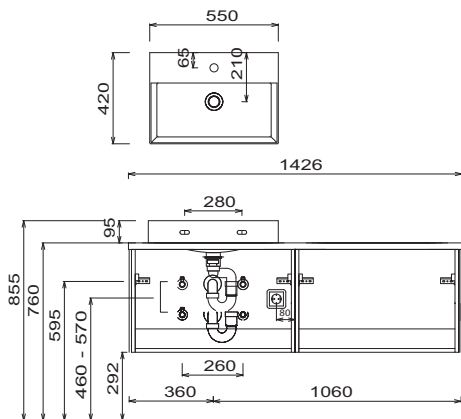
WTA 4255 + SET 381S

WTA 4255 + SET 382S



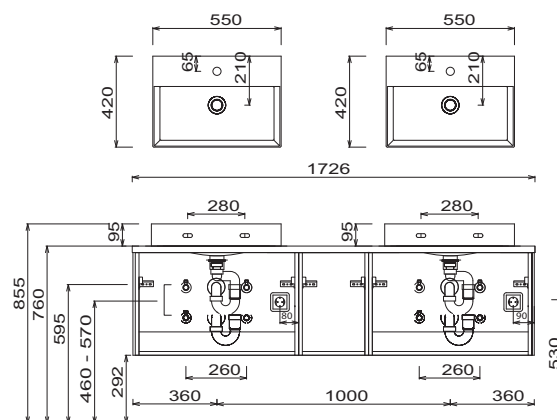
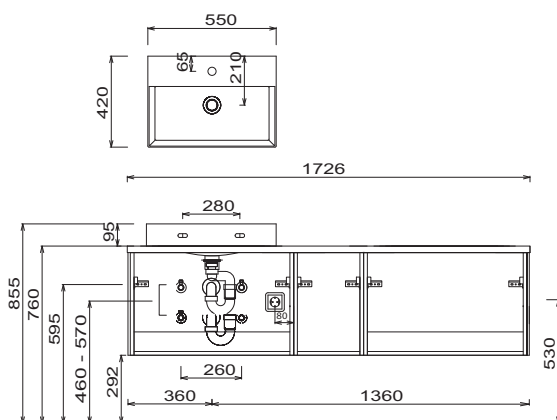
WTA 4255 + SET 384E R

WTA 4255 + SET 3814



WTA 4255 + SET 387E R

WTA 4255 + SET 3817



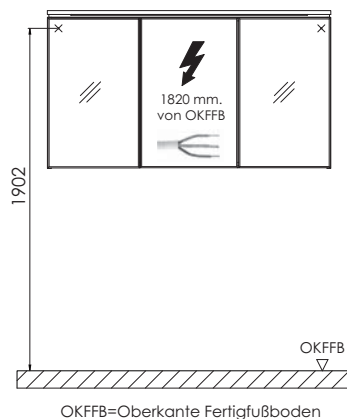
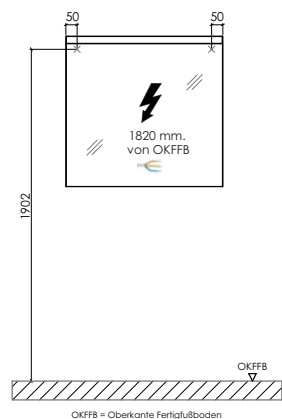
Modifications:

Technical modifications (+/- 5mm) and flatness modifications (DIN 18202) are subject of the usual material-specific modifications for construction materials, based on DIN 18202.

# Program 063 - dimensional drawings

electrical connections for mirror cabinets

electrical connections for mirror cabinets



## Modifications:

Technical modifications (+/- 5mm) and flatness modifications (DIN 18202) are subject of the usual material-specific modifications for construction materials, based on DIN 18202.