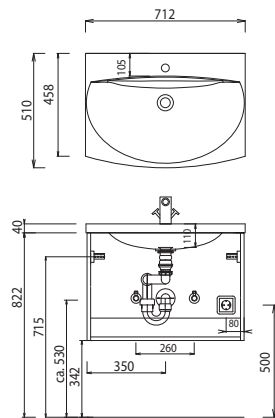
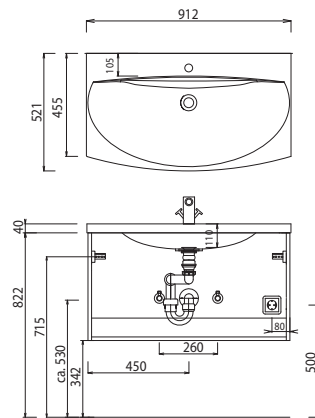


Program 054 - dimensional drawings

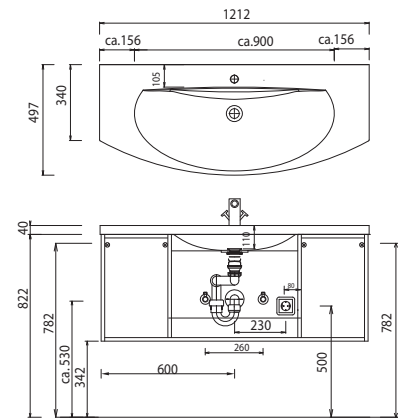
SET VU70



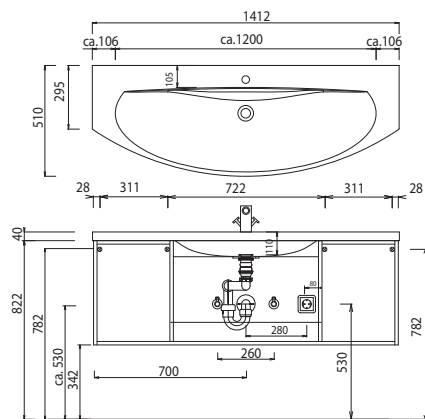
SET VU90



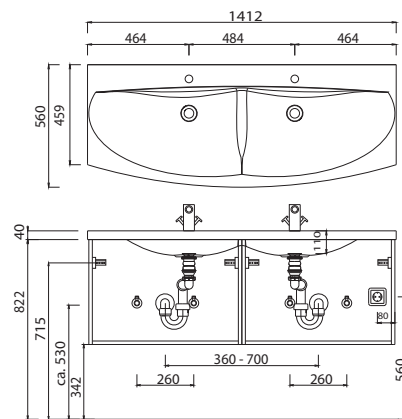
SET VU12



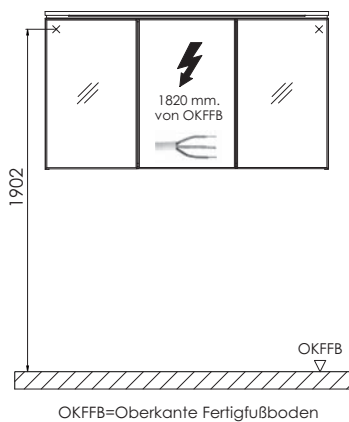
SET VU14



SET VU4D



electrical connections for mirror cabinets



Modifications:

Technical modifications (+/- 5mm) and flatness modifications (DIN 18202) are subject of the usual material-specific modifications for construction materials, based on DIN 18202.