

## Programm 021 - panel cut-outs

The order and order confirmation will follow once the sketch has been approved in writing.

### Standard cut-outs:

For all washbasins in the programme Laguna Platino 2.0 and Platino 2.0 guest WC:

The cut-outs for standard washbasins are fixed in the positioning of the depth.

Please indicate the positioning in width in mm (outer edge to middle of basin in mm).

The tap holes have a standard diameter of 35 mm.

### Customer-specified cut-outs:

A sketch with all dimensions must be enclosed with every order.

The order and order confirmation will follow once the sketch has been approved in writing.

For customer-specified cut-outs on standard washbasins, please state the position of the depth and width in mm (outer edge to middle of basin in mm, rear edge to middle of basin in mm).

**For washstands by other manufacturers:**

For customer-specified cut-outs for washbasins by other manufacturers, please state the position of the depth and width in mm (outer edge to middle of basin in mm, rear edge to middle of basin in mm).

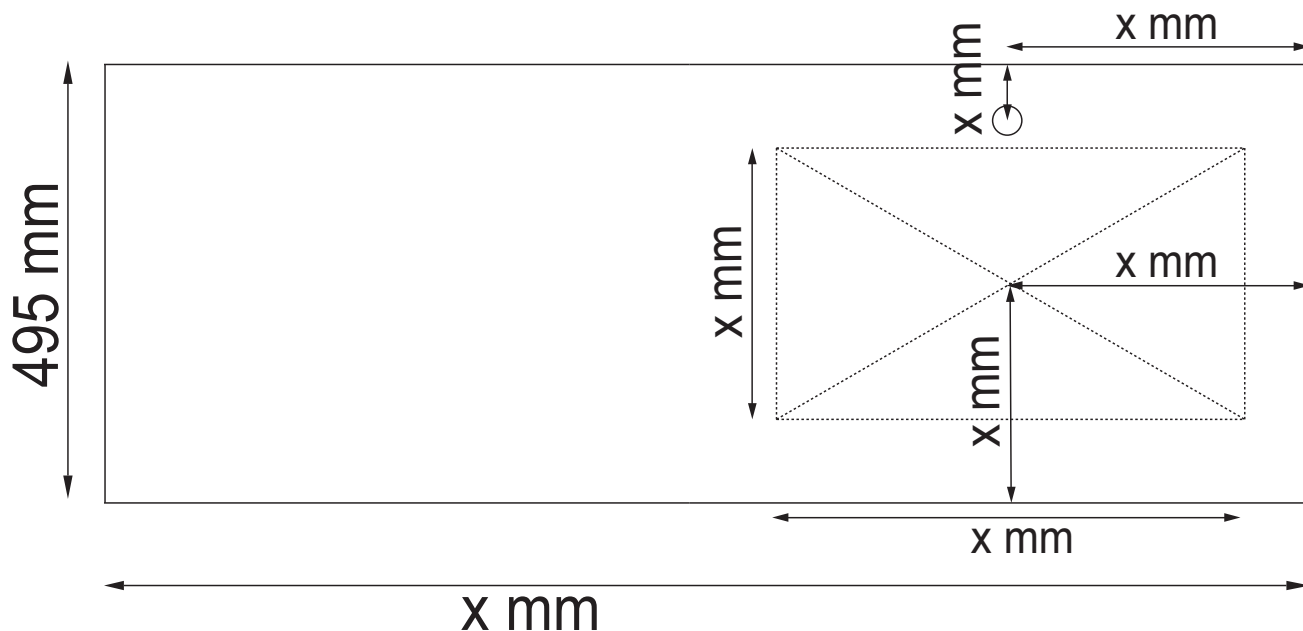
For cut-outs for washbasins by other manufacturers, please provide the name and exact item number of the washbasin.

A drill hole for taps can be made for customer-specified cut-outs for washbasins by other manufacturers.

Please provide the dimensions and the position of the depth and width in mm (outer edge to middle of drill hole in mm, rear edge to middle of drill hole in mm).

The following sketch of the cut-out is for illustrative purposes only.

Please send such a sketch of the cut-out of a panel with every order.



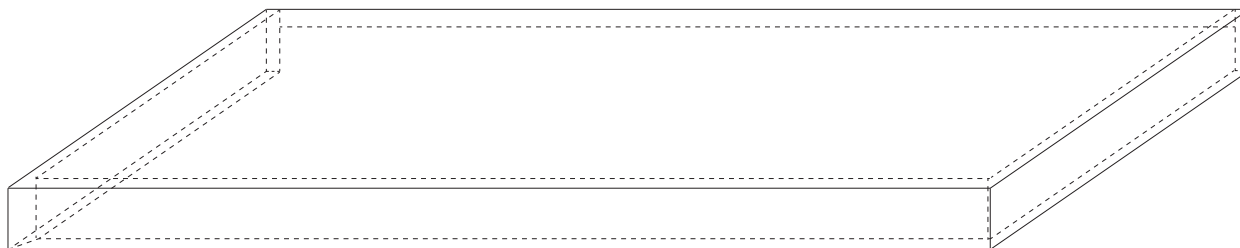
An order form is available from your service team or at our homepage.

## programm 021 - washbasin plate

Please note the following information according to the condition of the 60 mm high washbasin plates:

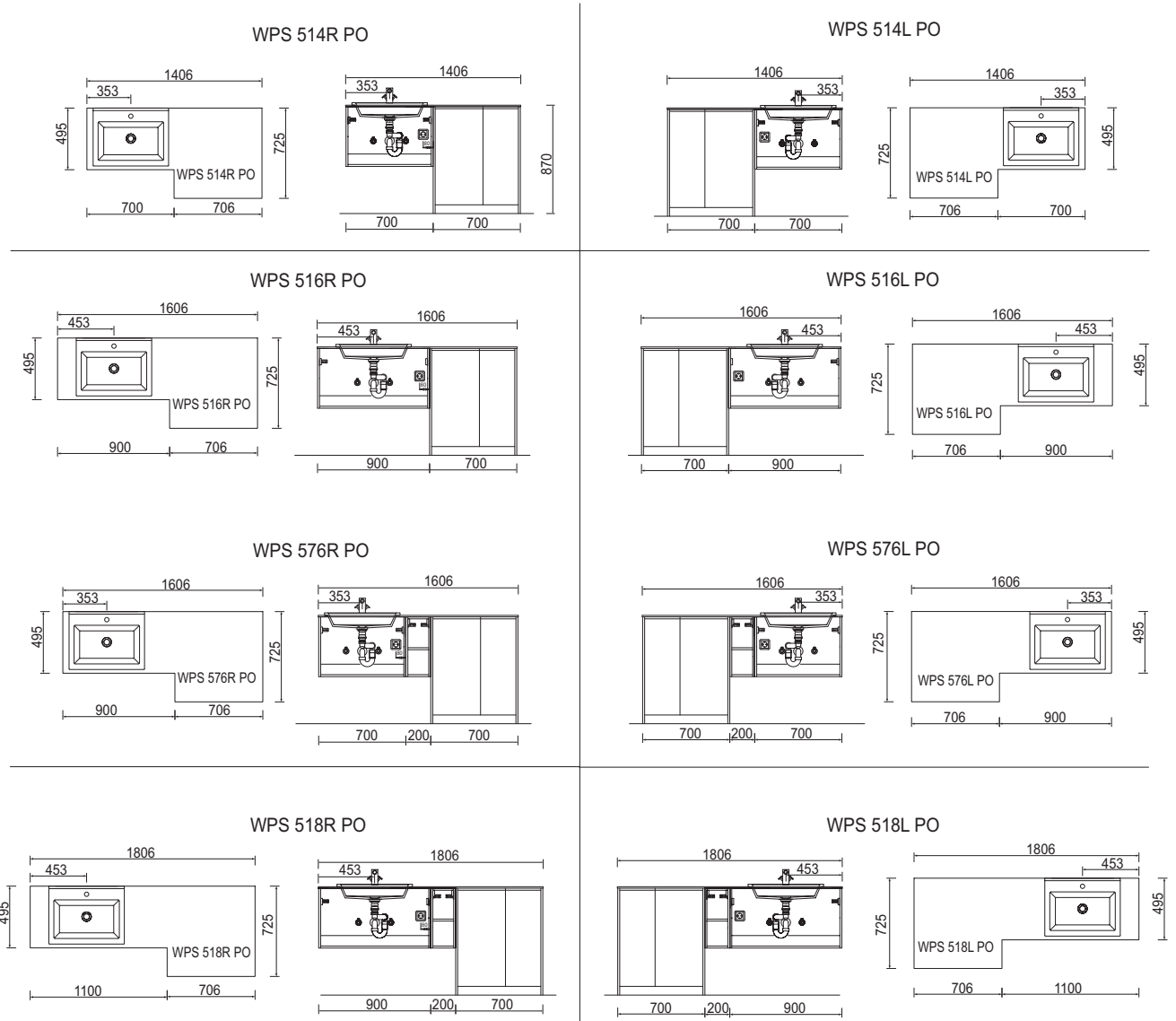
washbasin plate thermo coated 60 mm high  
18 mm thick angled on a mitre with 3 mm edge radius

Sketch of example:








# Programm 021 - panel cut-outs washbasin plate „Qsolid“ for washing machine housing

incl. washbasin cut-out for: STONEPLUS fitting washbasin









An order form is available from your service team or at our homepage.

# Program 021 - model list

Depth indication corresponds to the carcass depth		Depth in mm	Width in mm	Height in mm	Article number			Hinge	Surcharge high-gloss carcass
<b>cast mineral - topcover washbasin</b>									
	<b>cast mineral - topcover washbasin white</b> incl. permanent drain without tap hole without overflow  <b>Matching washstand cutout</b> with mixer tap drill hole <b>Matching washstand cutout</b> without mixer tap drill hole	340	490	60	WTAS101	1			
					AUSS1M1	28			
					AUSS1K1	28			
	<b>cast mineral - topcover washbasin white</b> incl. permanent drain without tap hole without overflow  <b>Matching washstand cutout</b> with mixer tap drill hole <b>Matching washstand cutout</b> without mixer tap drill hole	340	600	60	WTAS102	1			
					AUSS1M2	28			
					AUSS1K2	28			
	<b>cast mineral - topcover washbasin white</b> incl. permanent drain incl. tap hole  <b>Matching washstand cutout</b>  Additional accessories CLOU drain and overflow system Surcharge for washbasins without tap-hole or with 3 holes (according to sketch)	423	490	60	WTAS111	1			
					AUSS111	28			
					PZ 1109	1			
	<b>cast mineral - topcover washbasin white</b> incl. permanent drain incl. tap hole  <b>Matching washstand cutout</b>  Additional accessories CLOU drain and overflow system Surcharge for washbasins without tap-hole or with 3 holes (according to sketch)	423	600	60	WTAS112	1			
					AUSS112	28			
					PZ 1109	1			
<b>STONEPLUS-fitting washbasin</b>									
 <b>STONEPLUS</b>	<b>STONEPLUS fitting washbasin</b> white without overflow incl. CLOU drain and overflow system with STONEPLUS cover cap  <b>Matching washstand cutout</b>	465	606	20	WTA336E	61			
					AUS336E	28			







\*Delivery time: 8 weeks. Price per washbasin. Washbasin without tap hole is incompatible with CLOU System. Please check your order confirmation for correctness.

# Program 021 - model list

Depth indication corresponds to the carcass depth		Depth in mm	Width in mm	Height in mm	Article number			Hinge	Surcharge high-gloss carcass
<b>Ceramic counter top washbasin</b>									
	<b>ceramic counter top Málaga</b> white incl. tap hole with overflow  <b>Matching washstand cutout</b>	420	550	95	W T A 4 2 5 5	1			
					A U S 4 2 5 5	2 8			
	<b>V&amp;B MEMENTO 2.0 counter top washbasin 600</b> white CeramikPlus* incl. tap hole incl. permanent drain trailing edge not glazed  <b>Matching washstand cutout</b>	420	600	140	W T A 0 9 0 6	2 1			
					A U S 0 4 0 6	2 8			
	<b>counter top washbasin CUBE - square, white</b> incl. tap hole with overflow trailing edge not glazed  <b>counter top washbasin CUBE - square, IdealPlus white*</b> incl. tap hole with overflow trailing edge not glazed  <b>Matching washstand cutout</b>	460	550	140	W T A 0 7 0 5	1			
		460	550	140	W T A 0 7 0 5	2 1			
					A U S 0 4 0 6	2 8			
	<b>counter top washbasin Connect Air, white</b> incl. tap hole with overflow trailing edge not glazed  <b>counter top washbasin Connect Air, IdealPlus, white*</b> incl. tap hole with overflow trailing edge not glazed  <b>Matching washstand cutout</b>	460	550	100	W T A 0 8 0 5	1			
		460	550	100	W T A 0 8 0 5	2 1			
					A U S 0 8 0 5	2 8			
 	<b>counter top washbasin Squared Carbone matt</b> incl. permanent drain incl. tap hole  <b>500 mm wide</b>  <b>620 mm wide</b>  <b>Matching washstand cutout</b>  Additional accessories CLOU drain and overflow system	450	500	125	W T M 4 8 0 5	4 3			
		450	620	125	W T M 4 8 0 6	4 3			
					A U S 4 8 0 5	2 8			
					P Z 1 1 0 9	1			





Please observe suitable accessories in the separate index.

# Program 021 - model list

	Depth in mm	Width in mm	Height in mm	Article number			Hinge	Surcharge high-gloss carcass
Depth indication corresponds to the carcass depth								
<b>Ceramic counter top washbasin</b>								
	<b>counter top washbasin Squared white</b>							
	incl. permanent drain incl. tap hole trailing edge not glazed							
	450	500	125	WTM	4 8 0 5	1		
	450	620	125	WTM	4 8 0 6	1		
	450	810	125	WTM	4 8 0 8	1		
	450	1020	125	WTM	4 8 1 0	1		
	<b>Matching washstand cutout</b>			AUS			4 8 0 5 2 8	
	Additional accessories CLOU drain and overflow system			PZ	1 1 0 9	1		
	450	1020	125	WTM	4 8 2 1	1		
	incl. 2 tap holes with overflow trailing edge not glazed							
	Matching washstand cutout			AUS			4 8 2 1 2 8	
	460	710	65	WTM	5 1 0 7	1		
	incl. tap hole with overflow trailing edge not glazed							
	Matching washstand cutout			AUS			5 1 0 7 2 8	
	460	1010	65	WTM	5 1 1 0	1		
	incl. tap hole with overflow trailing edge not glazed							
	Matching washstand cutout			AUS			5 1 1 0 2 8	
	380	585	110	WTA	0 6 0 6	1		
	incl. permanent drain							
	380	585	110	WTA	0 6 0 6 2 1			
	incl. permanent drain							
	Matching washstand cutout without mixer tap drill hole			AUS			0 5 K 6 2 8	
	Matching washstand cutout with mixer tap drill hole			AUS			0 5 M 6 2 8	

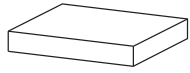
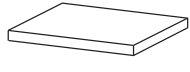
Please observe suitable accessories in the separate index.

# Program 021 - model list

Depth indication corresponds to the carcass depth		Depth in mm	Width in mm	Height in mm	Article number		Hinge	Surcharge high-gloss carcass
<b>Ceramic counter top washbasin</b>								
	<b>counter top washbasin V&amp;B LOOP - oval, white</b> incl. permanent drain	380	585	110	<b>W T A 0 5 0 6</b>	<b>1</b>		
	<b>counter top washbasin V&amp;B LOOP - oval, white</b> <b>CeramikPlus*</b> incl. permanent drain	380	585	110	<b>W T A 0 5 0 6</b>	<b>2 1</b>		
	<b>Matching washstand cutout</b> without mixer tap drill hole				<b>A U S 0 5 K 6</b>	<b>2 8</b>		
	<b>Matching washstand cutout</b> with mixer tap drill hole				<b>A U S 0 5 M 6</b>	<b>2 8</b>		
	<b>counter top washbasin Melbourne, white</b> incl. tap hole incl. permanent drain	425	600	90	<b>W T A 1 1 0 4</b>	<b>1</b>		
	<b>Matching washstand cutout</b>				<b>A U S 1 1 0 4</b>	<b>2 8</b>		
	<b>counter top washbasin Melbourne, white</b> incl. tap hole incl. permanent drain	425	800	90	<b>W T A 1 1 0 5</b>	<b>1</b>		
	<b>Matching washstand cutout</b>				<b>A U S 1 1 0 5</b>	<b>2 8</b>		
	<b>counter top washbasin Melbourne oval</b> incl. tap hole incl. permanent drain without overflow	455	600	90	<b>W T A 1 1 0 7</b>	<b>1</b>		
	<b>Matching washstand cutout</b>				<b>A U S 1 1 0 7</b>	<b>2 8</b>		

Please observe suitable accessories in the separate index.




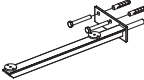
# Program 021 - model list

Depth indication corresponds to the carcass depth	Depth in mm	Width in mm	Height in mm	Article number			Hinge	Surcharge high-gloss carcass
<h2>Washbasin plates</h2>								
	495	600-2200	60	<b>WP</b>	<b>5</b>	<b>VFO</b>		
<p><b>washbasin plate thermo coated price per metre</b>  in front surface  washbasin plate self-supporting  please indicate colour version</p> <p>variable in width of 600 to 2.200 mm</p> <p>3 mm have to be added at both sides. left/right)  Please refer to the information about cut-outs on page P21.1 and about washbasin plates on page P21.2.</p> <p>Price per metre</p> <p>Please note the additional price for washbasin cutouts.</p> <p>from 600 mm lenght on incl. 2 wall fixings  from 1306 mm lenght on incl. 3 wall fixings  from 1650 mm lenght on incl. 4 wall fixings</p> <p>in the following front finishes:  no. 670 Halifax oak  no. 680 Charleston oak  no. 755 hacienda black  no. 769 hacienda grey  no. 784 light oak  Nr. 785 Natural oak  no. 786 truffle oak  no. 794 sand oak</p> <p>Attention: Variable articles are excepted from the delivery time!</p>								
	495	300-2600	28	<b>APN</b>	<b>60V</b>	<b>28</b>		
<p><b>washbasin plate price per metre</b>  please indicate colour version</p> <p>variable in width of 300 to 2.600 mm</p> <p>3 mm have to be added at both sides. left/right)  Please refer to the information on cut-outs on page P21.1.</p> <p>Price per metre</p> <p>Please note the additional price for washbasin cutouts.</p> <p>Attention: Variable articles are excepted from the delivery time!</p>								

Please observe suitable accessories in the separate index.



# Program 021 - model list

Depth indication corresponds to the carcass depth	Depth in mm	Width in mm	Height in mm	Article number			Hinge	Surcharge high-gloss carcass
<p><b>Washbasin plates</b></p>  <p><b>washbasin plate Qsolid</b> price per metre Surface polished</p>  <p>variable in width of 600 to 2.980 mm</p> <p>Delivery time: 7 weeks 3 mm have to be added at both sides, left/right) Please refer to the information on cut-outs on page P21.1.</p> <p>please indicate colour version</p> <p>Price per metre</p> <p>Please note the additional price for washbasin cutouts.</p> <p>Attention: Variable articles are excepted from the delivery time!</p>	495	600-2980	12	<b>WP</b>	<b>S 5 1 V P O</b>			
				<b>A U S</b>	<b>K D 2 8</b>			
<p><b>cut- out for washbasins of other manufactures</b> Orders can only be accepted with dimensioned drawings.</p> <p>Please refer to the information on cut-outs on page P21.1.</p> <p>for washbasin tops in carcass colour for washbasin tops in front finishes:</p> <p>for Qsolid washbasin tops</p>				<b>A U S</b>	<b>K D</b>			
 <p><b>Towel holder console</b> for the wall attachment of free hanging washstand tops</p> <p>Resilience: from 1000 mm lenght on 2 consoles or base units are needed</p> <p>Price per item</p>								
 <p><b>additional Console for washbasin tops</b> for the wall attachment of free hanging washstand tops</p> <p>for self-supporting thermofoiled washbasin tops 60 mm</p> <p>Price per item</p>								





Please observe suitable accessories in the separate index.

# Program 021 - model list

Depth indication corresponds to the carcass depth	Depth in mm	Width in mm	Height in mm	Article number	Hinge	Surcharge high-gloss carcass
<b>washbasin plates „Qsolid“ for Washing machine housing</b>						
 <b>washbasin plate Qsolid for Washing machine housing</b>						
incl. washbasin cut-out for: STONEPLUS fitting washbasin						
III. = right Delivery time: 7 weeks Please refer to the information on cut-outs on page P21.3.						
please indicate colour version						
<b>1406 mm wide</b>						
<b>for Washing machine housing on the left-hand side</b> can be combined with washing machine housing and 700 mm washbasin base unit						
495-725	1406	12	<b>W P S 5 1 4 L P O</b>			
<b>1406 mm wide</b>						
<b>for Washing machine housing on the right-hand side</b> can be combined with washing machine housing and 700 mm washbasin base unit						
495-725	1406	12	<b>W P S 5 1 4 R P O</b>			
<b>1606 mm wide</b>						
<b>for Washing machine housing on the left-hand side</b> can be combined with washing machine housing and 900 mm washbasin base unit						
495-725	1606	12	<b>W P S 5 1 6 L P O</b>			
<b>1606 mm wide</b>						
<b>for Washing machine housing on the right-hand side</b> can be combined with washing machine housing and 900 mm washbasin base unit						
495-725	1606	12	<b>W P S 5 1 6 R P O</b>			
<b>1606 mm wide</b>						
<b>for Washing machine housing on the left-hand side</b> can be combined with washing machine housing, 200 mm shelf center and 700 mm washbasin base unit						
495-725	1606	12	<b>W P S 5 7 6 L P O</b>			
<b>1606 mm wide</b>						
<b>for Washing machine housing on the right-hand side</b> can be combined with washing machine housing, 200 mm shelf center and 700 mm washbasin base unit						
495-725	1606	12	<b>W P S 5 7 6 R P O</b>			
<b>1806 mm width</b>						
<b>for Washing machine housing on the left-hand side</b> can be combined with washing machine housing, 200 mm shelf center and 700 mm washbasin base unit						
495-725	1806	12	<b>W P S 5 1 8 L P O</b>			
<b>1806 mm width</b>						
<b>for Washing machine housing on the right-hand side</b> can be combined with washing machine housing, 200 mm shelf center and 700 mm washbasin base unit						
495-725	1806	12	<b>W P S 5 1 8 R P O</b>			
Attention: Variable articles are excepted from the delivery time!						


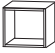



Please observe suitable accessories in the separate index.

# Program 021 - model list

Depth indication corresponds to the carcass depth		Depth in mm	Width in mm	Height in mm	Article number			Hinge	Surcharge high-gloss carcass
<b>Washbasin base units</b>									
	<b>Washbasin base unit</b> 1 metal pull out unit with buffered closing central								
	<b>600 mm wide</b>	470	600	240	<b>W U A 1 1 6 0 P 4</b>				
	<b>700 mm wide</b>	470	700	240	<b>W U A 1 1 7 0 P 4</b>				
	<b>800 mm wide</b>	470	800	240	<b>W U A 1 1 8 0 P 4</b>				
	<b>900 mm wide</b>	470	900	240	<b>W U A 1 1 9 0 P 4</b>				
	<b>1000 mm wide</b>	470	1000	240	<b>W U A 1 1 1 0 P 4</b>				
	<b>1200 mm wide</b>	470	1200	240	<b>W U A 1 1 1 2 P 4</b>				
	Additional accessories Design installationsset chrome: Additional price for offset the syphon cutout / without cutout				P Z	1 3 8 9	1 E		
	<b>Washbasin base unit</b> 1 metal pull out unit with buffered closing central 1 drawer with buffered closing								
	<b>600 mm wide</b>	470	600	480	<b>W U A 3 3 6 0 P 4</b>				
	<b>700 mm wide</b>	470	700	480	<b>W U A 3 3 7 0 P 4</b>				
	<b>800 mm wide</b>	470	800	480	<b>W U A 3 3 8 0 P 4</b>				
	<b>900 mm wide</b>	470	900	480	<b>W U A 3 3 9 0 P 4</b>				
	<b>1000 mm wide</b>	470	1000	480	<b>W U A 3 3 1 0 P 4</b>				
	<b>1200 mm wide</b>	470	1200	480	<b>W U A 3 3 1 2 P 4</b>				
	Additional accessories Space-saving drain stench trap DN 40 Space-saving drain stench trap DN 32 Additional price for offset the syphon cutout / without cutout				P Z	1 3 6 7			
					P Z	1 4 2 3			
	<b>Washbasin base unit</b> 2 doors depth adjustable								
	<b>600 mm wide</b>	200-470	600	480	<b>W U A 3 1 6 0 1 V</b>				
	<b>800 mm wide</b>	200-470	800	480	<b>W U A 3 1 8 0 1 V</b>				
	<b>solitaire washbasin base unit</b> 1 fixed carcass panel 129 mm high variable in width	485	600-1000	480	<b>W U A 3 0 X X 4 8</b>				
	can be combined with 28 mm top covers in carcass colour or 12 mm Qsolid top covers								
	Additional accessories Design installationsset chrome:				P Z	1 3 8 9	1 E		

\*Price per Washbasin base unit. Please attach a sketch to your order. Check your order confirmation of correctness.

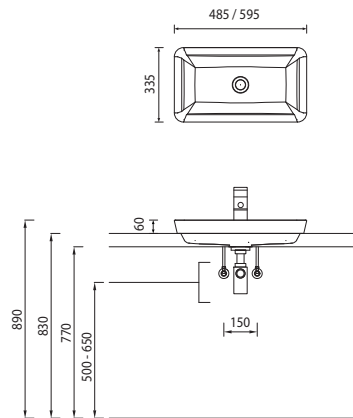
# Program 021 - model list

Depth indication corresponds to the carcass depth		Depth in mm	Width in mm	Height in mm	Article number		Hinge	Surchar- ge high- gloss carcass
<b>Base units for washbasin plates</b>								
	<b>washbasin base unit</b> 1 metal pull-out with buffered closing  <b>300 mm wide</b> <b>400 mm wide</b> <b>600 mm wide</b> <b>700 mm wide</b> <b>800 mm wide</b> <b>900 mm wide</b> <b>1000 mm wide</b> <b>1200 mm wide</b>  plate-base-unit, also individual combinable with the washbasin-plate	470	300	240	U T A	1 1 3 0 P 4		
		470	400	240	U T A	1 1 4 0 P 4		
		470	600	240	U T A	1 1 6 0 P 4		
		470	700	240	U T A	1 1 7 0 P 4		
		470	800	240	U T A	1 1 8 0 P 4		
		470	900	240	U T A	1 1 9 0 P 4		
		470	1000	240	U T A	1 1 1 0 P 4		
		470	1200	240	U T A	1 1 1 2 P 4		
	<b>Shelf</b> variable dimensions  Shelf cannot be installed as single, supporting element under the washbasin-plate.	301-470	150-600	240	R V	2 0 V T 1		
	<b>washbasin base unit</b> 2 metal pull-outs with buffered closing  <b>300 mm wide</b> <b>400 mm wide</b> <b>600 mm wide</b> <b>700 mm wide</b> <b>800 mm wide</b> <b>900 mm wide</b> <b>1000 mm wide</b> <b>1200 mm wide</b>  plate-base-unit, also individual combinable with the washbasin-plate	470	300	480	U T A	3 6 3 0 P 4		
		470	400	480	U T A	3 6 4 0 P 4		
		470	600	480	U T A	3 6 6 0 P 4		
		470	700	480	U T A	3 6 7 0 P 4		
		470	800	480	U T A	3 6 8 0 P 4		
		470	900	480	U T A	3 6 9 0 P 4		
		470	1000	480	U T A	3 6 1 0 P 4		
		470	1200	480	U T A	3 6 1 2 P 4		
	<b>Shelf</b> variable dimensions 1 fixed shelf	301-470	150-600	480	R V	3 1 V T 1		
	<b>washbasin base unit</b> 1 door depth adjustable  <b>300 mm wide</b> <b>400 mm wide</b>	200-470	300	480	U T A	3 1 3 0 1 V		
		200-470	400	480	U T A	3 1 4 0 1 V		

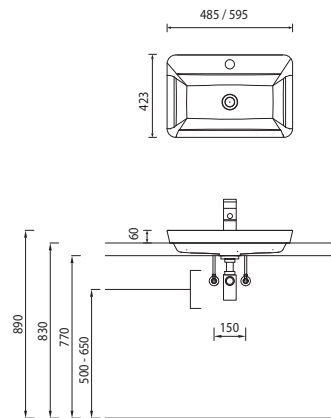
Please observe suitable accessories in the separate index.

# Program 021 - dimensional drawings

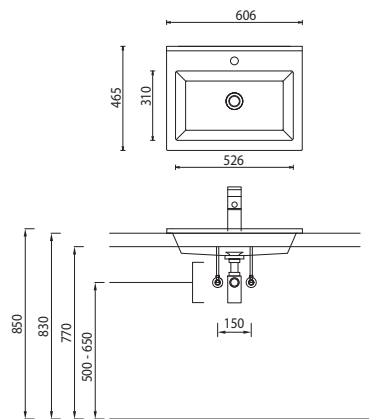
cast mineral - topcover washbasin  
WTA S101 / WTA S102



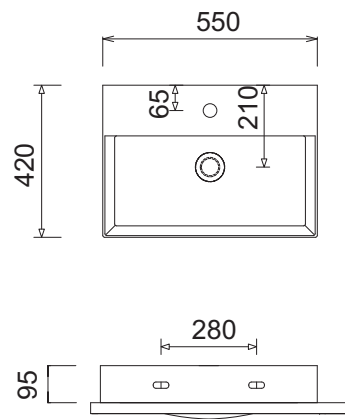
cast mineral - topcover washbasin  
WTA S111 / WTA S112



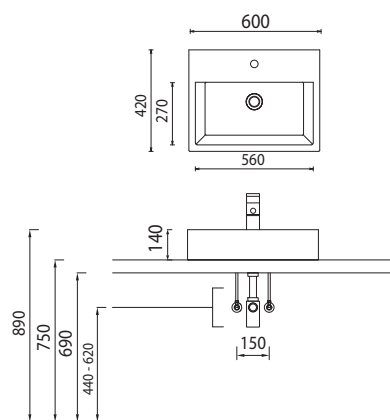
washbasin WTA 336E 61



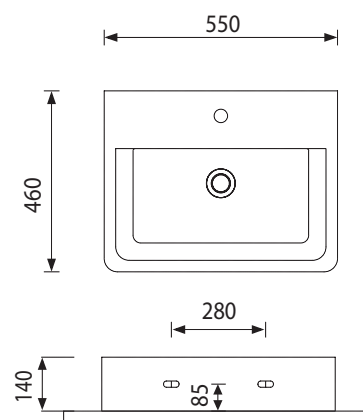
Málaga WTM 4255



MEMENTO 2.0 WTA 0906



CUBE WTA 0705



For washing stands with fixing screws, the dimensions for boring must be drawn in on-site after the washing stand has been laid on the floor unit.

The fastening screws must be screwed.

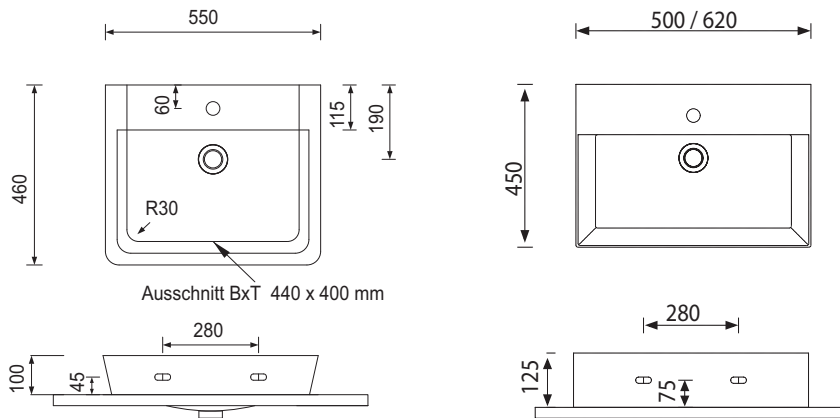
Modifications:

Technical modifications (+/- 5mm) and flatness modifications (DIN 18202) are subject of the usual material-specific modifications for construction materials, based on DIN 18202.

# Program 021 - dimensional drawings

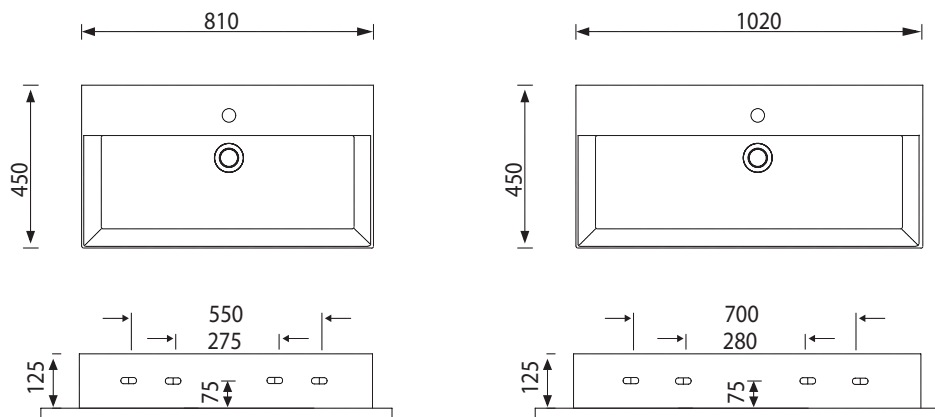
CONNECT AIR WTA 0805

SQUARED WTM 4805 / WTM 4806



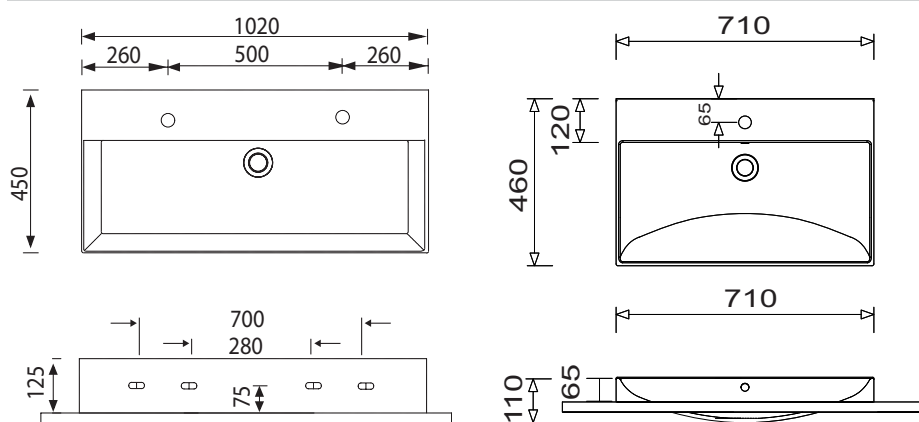
SQUARED WTM 4808

SQUARED WTM 4810



SQUARED WTM 4821

K-Line WTM 5107 1



For washing stands with fixing screws, the dimensions for boring must be drawn in on-site after the washing stand has been laid on the floor unit.

The fastening screws must be screwed.

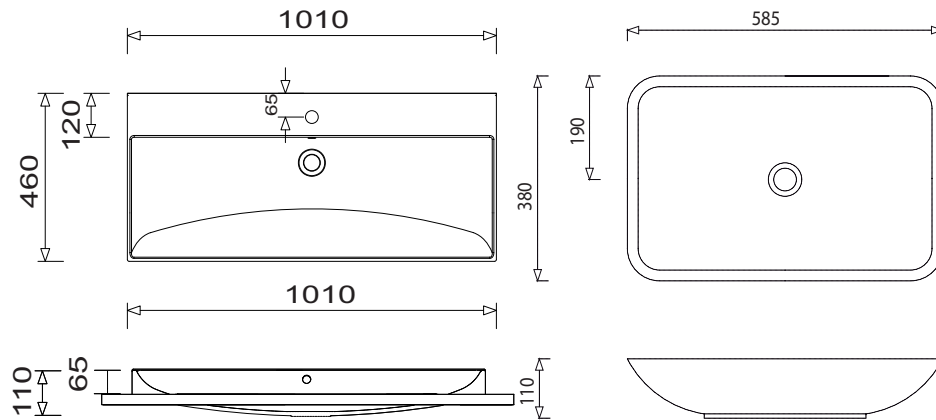
Modifications:

Technical modifications (+/- 5mm) and flatness modifications (DIN 18202) are subject of the usual material-specific modifications for construction materials, based on DIN 18202.

# Program 021 - dimensional drawings

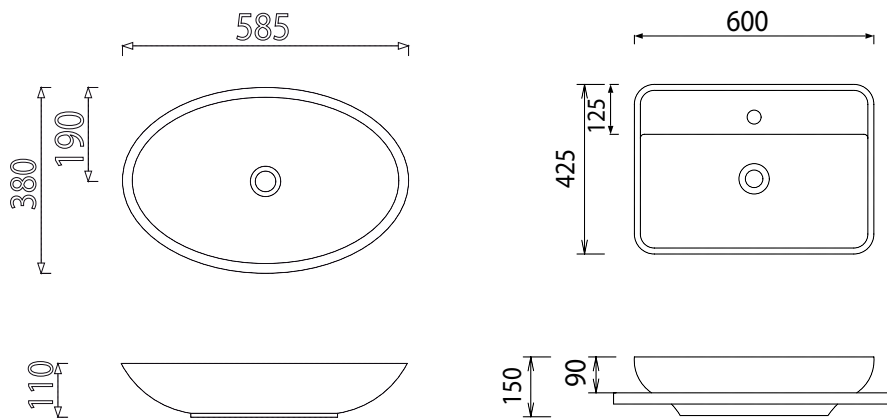
K-Line WTM 5110 1

LOOP WTA 0606



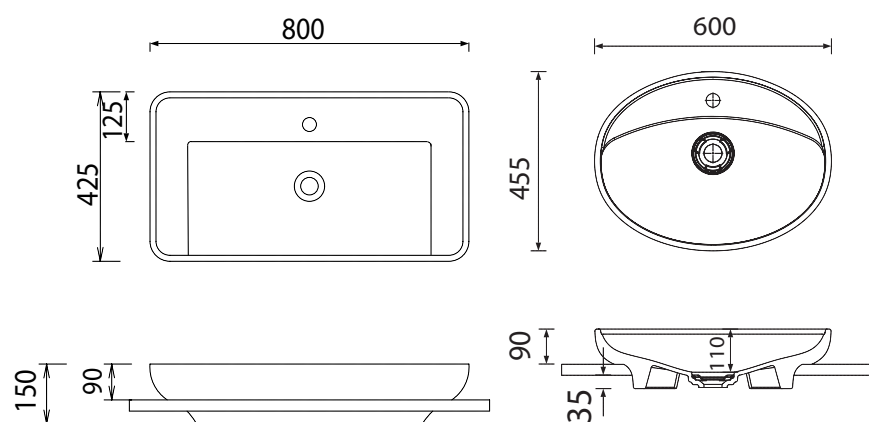
LOOP WTA 0506

MELBOURNE WTA 1104



MELBOURNE WTA 1105

MELBOURNE WTA 1107



For washing stands with fixing screws, the dimensions for boring must be drawn in on-site after the washing stand has been laid on the floor unit.

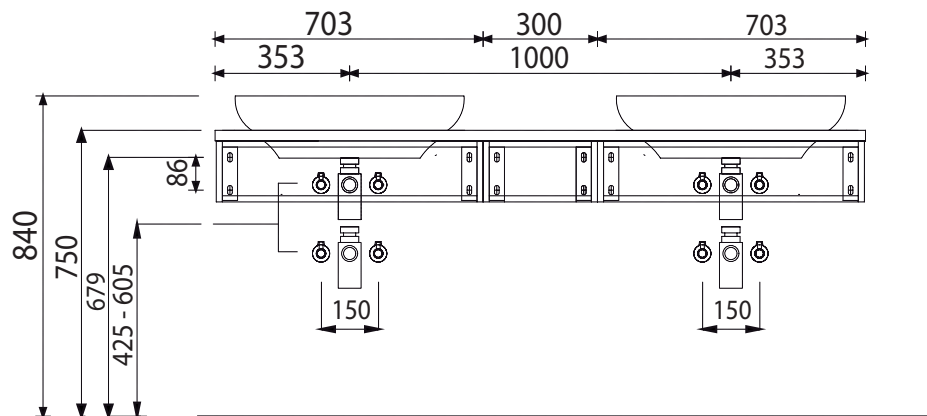
The fastening screws must be screwed.

Modifications:

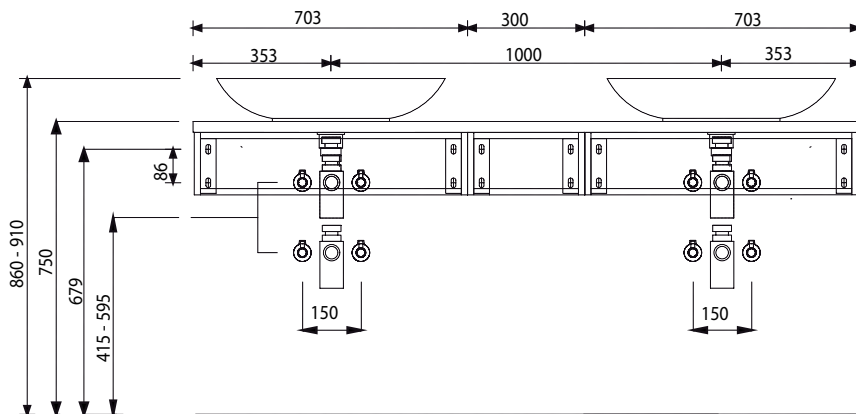
Technical modifications (+/- 5mm) and flatness modifications (DIN 18202) are subject of the usual material-specific modifications for construction materials, based on DIN 18202.

## Program 021 - dimensional drawings

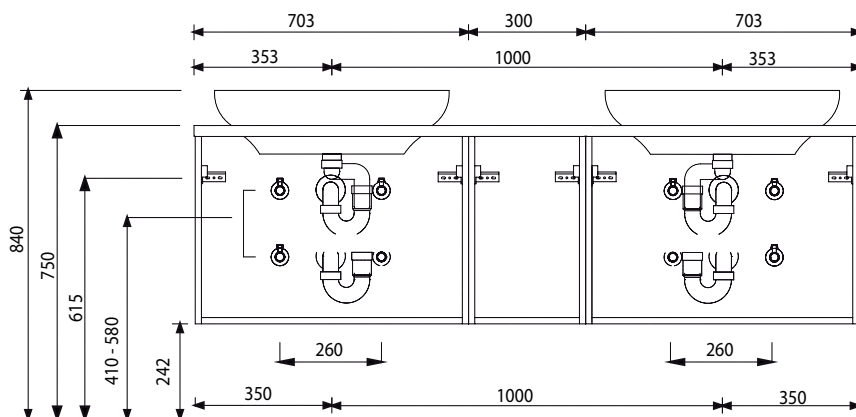
2 x WTA 1104 + 2 x WUA 1170 P4 +  
UTA 1130 P4



2 x WTA 0506 + 2 x WUA 1170 P4 +  
UTA 1130 P4



2 x WTA 1104 + 2 x WUA 3370 P4 +  
UTA 3630 P4



For washing stands with fixing screws, the dimensions for boring must be drawn in on-site after the washing stand has been laid on the floor unit.

The fastening screws must be screwed.

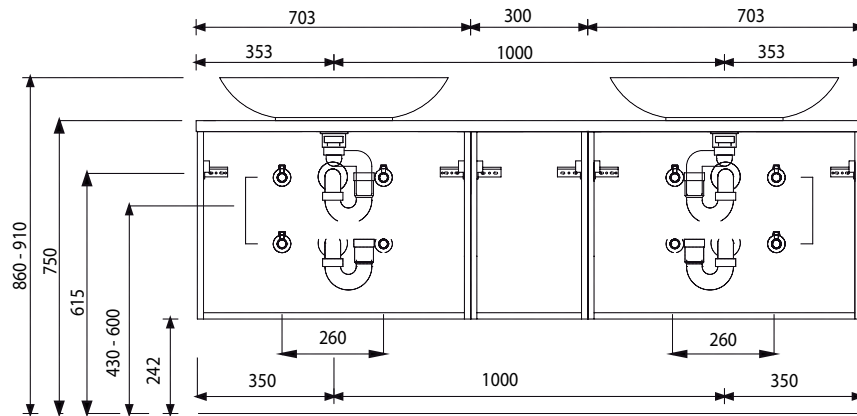
Modifications:

Technical modifications (+/- 5mm) and flatness modifications (DIN 18202) are subject of the usual material-specific modifications for construction materials, based on DIN 18202.



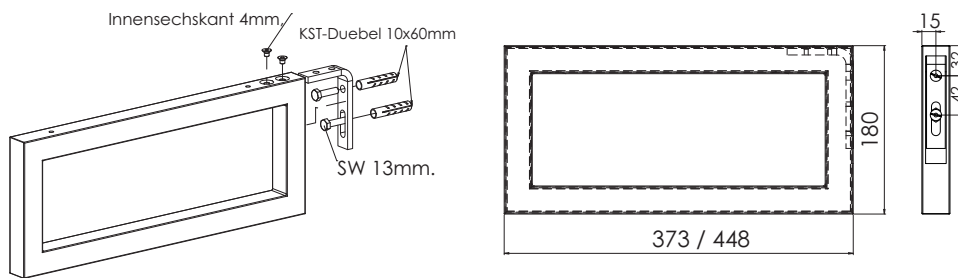
# Program 021 - dimensional drawings

2 x WTA 0506 + 2 x WUA 3370 P4 +  
UTA 3630 P4



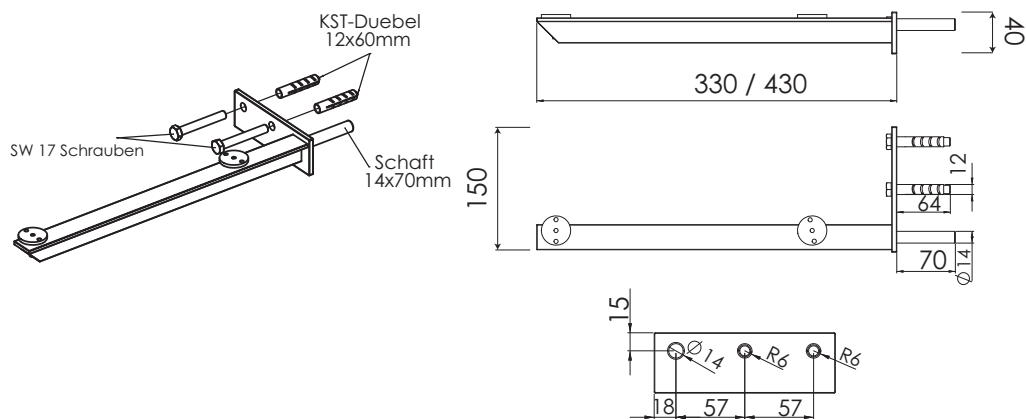
Towel holder console

Towel holder console



Console for washbasin tops

Console for washbasin tops



For washing stands with fixing screws, the dimensions for boring must be drawn in on-site after the washing stand has been laid on the floor unit.

The fastening screws must be screwed.

Modifications:

Technical modifications (+/- 5mm) and flatness modifications (DIN 18202) are subject of the usual material-specific modifications for construction materials, based on DIN 18202.