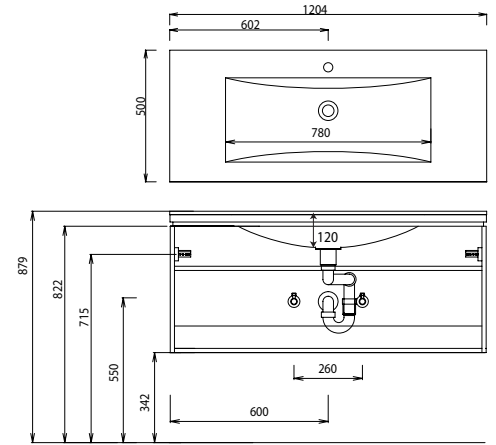
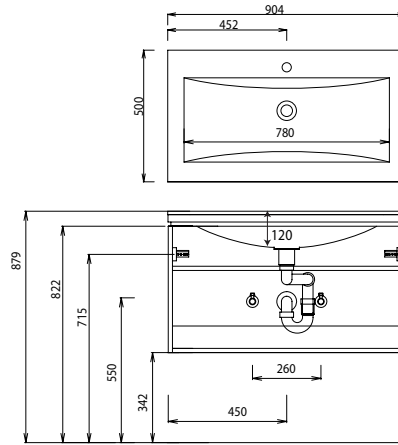
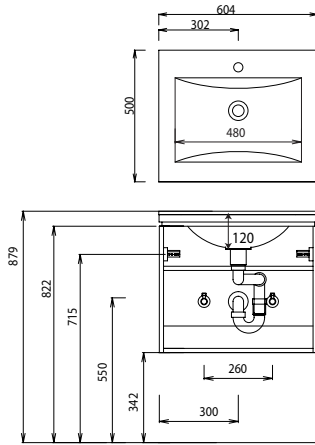


Program 017 - dimensional drawings

WME / WGE / WSS 5060

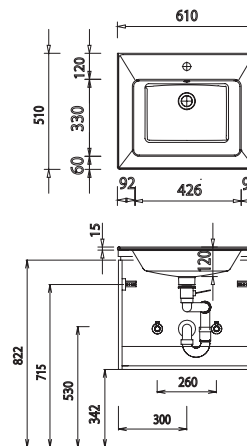
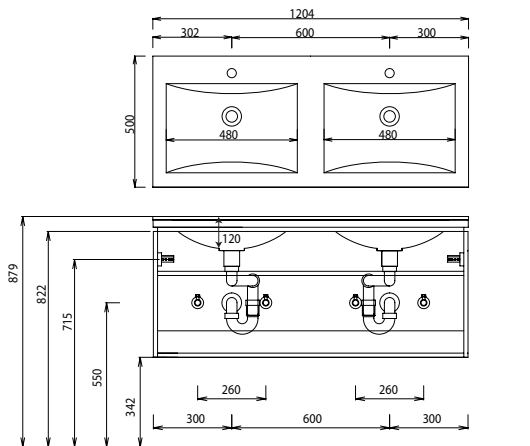
WME / WGE / WSS 5090

WME / WGE / WSS 5120



WME / WGE / WSS 7120

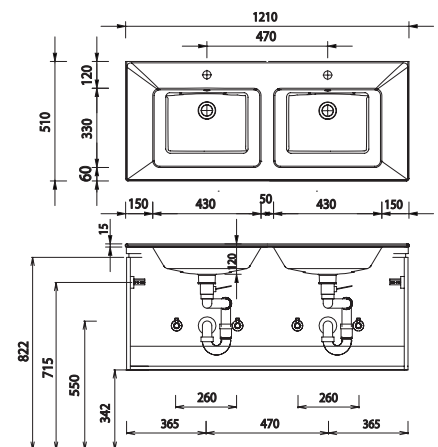
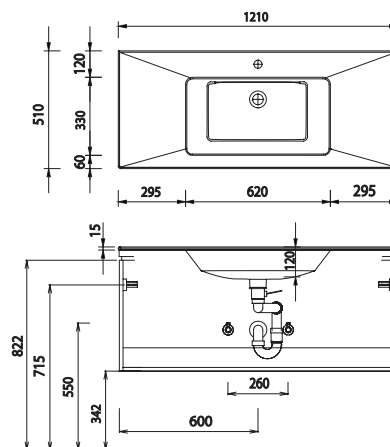
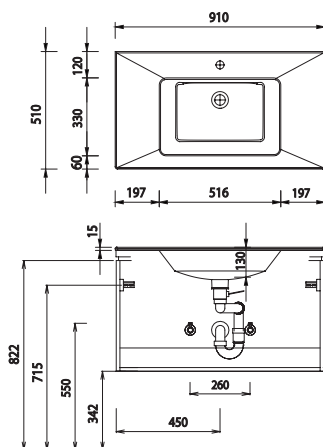
WTM 4406 1



WTM 4409 1

WTM 4412 1

WTM 442D 1



For washing stands with fixing screws, the dimensions for boring must be drawn in on-site after the washing stand has been laid on the floor unit.
For washing stands with anchoring brackets, the dimensions for boring must be drawn in on-site after the washing stand has been laid on the floor unit.

Washing stands without anchoring brackets are fixed to the wall and on the furniture-sidewith silicon!

Cast mineral:

The water temperature must not exceed 55° C / 131° F. Hair tinting lotions have to be removed in a few seconds, so that staining can be avoided.

Modifications:

Technical modifications (+/- 3mm) and flatness modifications (DIN 18202) are subject of the usual material-specific modifications for construction materials, based on DIN 18202.